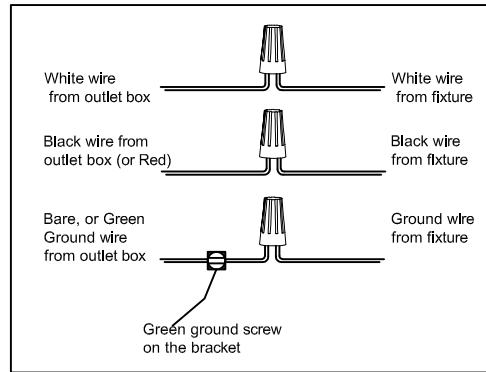
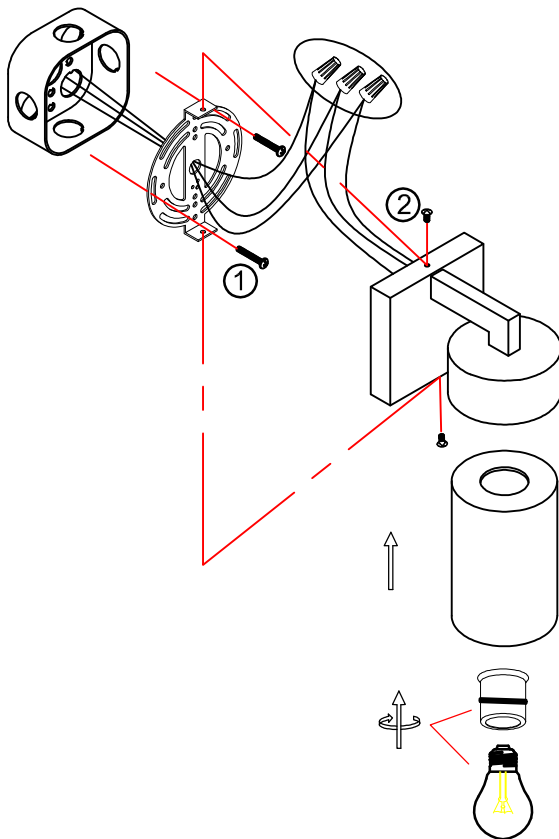
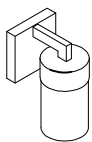


INSTRUCTION MANUAL

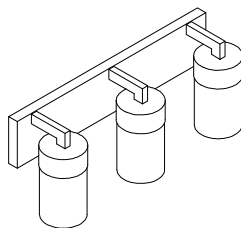
- 1. Always ensure the power is completely OFF before any installation or maintenance.**
- 2. The fixture must be installed by a qualified licensed electrician**



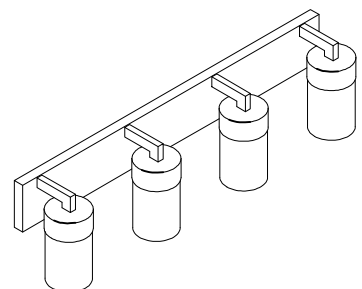
- 1. Ensure main supply is switched off.**
- 2. Have the mounting screw (1) through the mounting bracket and screw into octagon box.**
- 3. Connect the wires using wire nuts, tight mounting bracket and back plate using screws (2).**
- 4. Place the glass on the socket and lock the glass in place with the socket ring.**
- 5. Install the bulb (not included) into socket.**



**WS705-1BK
WS705-1AB/BK
WS705-1AB**



**VL705-3BK
VL705-3AB/BK
VL705-3AB**



**VL705-4BK
VL705-4AB/BK
VL705-4AB**