

INSTALLATION INSTRUCTIONS SHEET

START FROM HERE

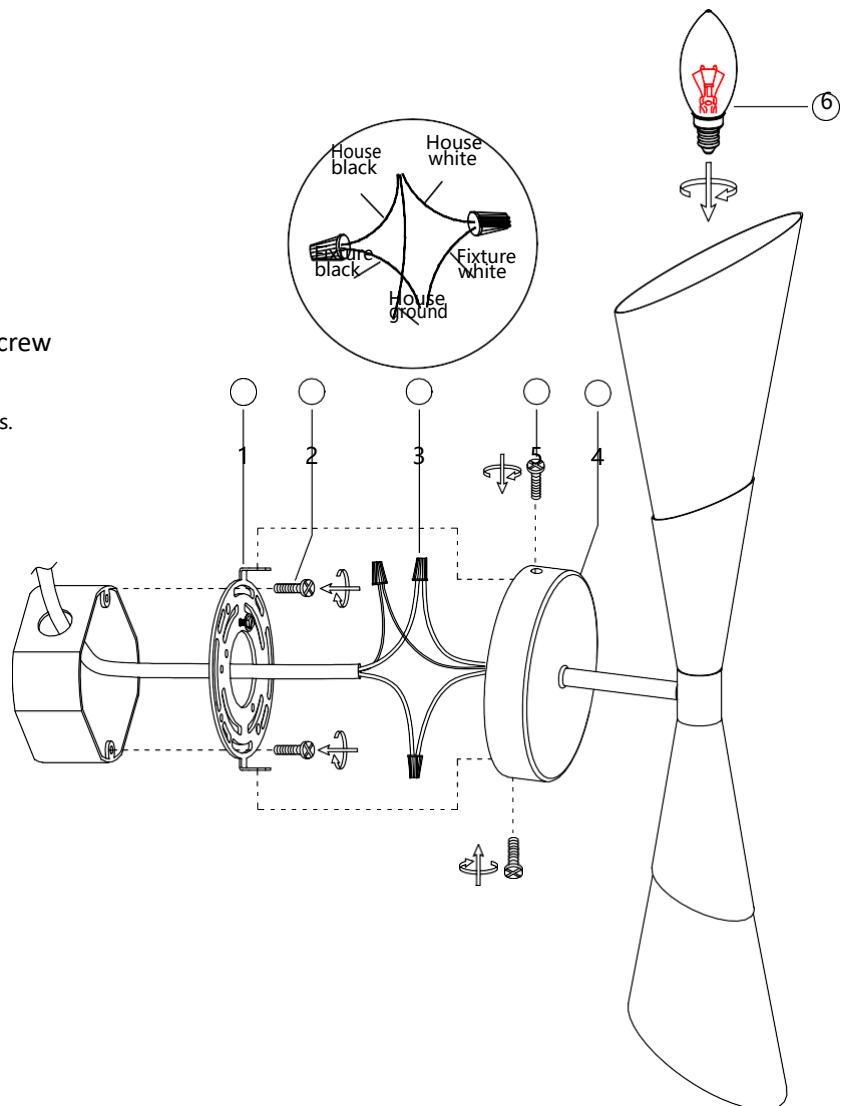
- Make sure power is completely off at the fuse box.
- Have your fixture installed by a qualified licensed electrician
- Prepare everything in clear area.
- Wear gloves always during this installation.
- Read instructions carefully before you start assembly.
- keep this instruction sheet for future reference.

Please Note:

- All Lighting fixtures come with pre-wired module(s)
- Unless instructed to do so, please do not touch any part of the module(s) as
- any unnecessary contact with the module could cause permanent damage.

THIS LUMINAIRE MUST BE MOUNTED OR SUPPORTED INDEPENDENTLY OF AN OUTLET BOX

- 1 Ensure main supply is switched off
- 2 Fit mounting bracket (1) onto mounting surface with self-taping screws (2)
- 3 connect wires (3) according to color (White to White, Black to Black). Connect all earth plug together onto the crossbar with green screw to tight.
- 4 Fit ceiling plate (4) onto mounting bracket with Screw (5)
- 5 Install the bulbs (6) (not included) firmly into lamp holders.
- 6 Reconnect power.



WARNING:

This fitting must be earthed.

Disconnect power and allow fitting to cool down before cleaning or changing the lamp.

THIS PRODUCT MUST BE INSTALLED IN ACCORDANCE WITH THE APPLICABLE INSTALLATION CODE BY A PERSON FAMILIAR WITH THE CONSTRUCTION AND OPERATION OF THE PRODUCT AND THE HAZARDS INVOLVED.