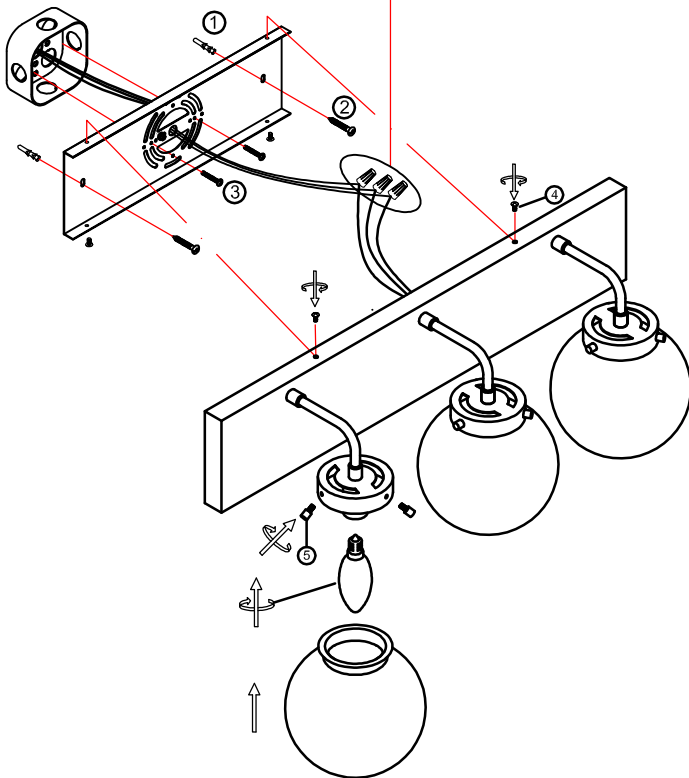
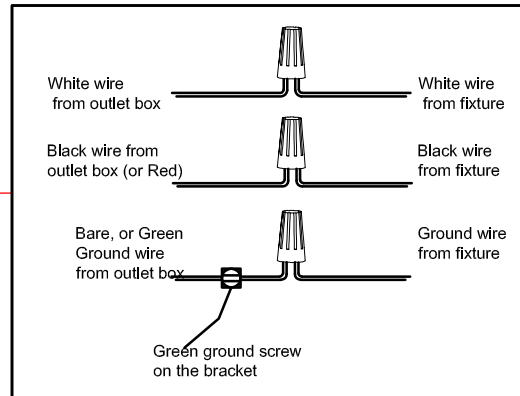


INSTRUCTION MANUAL

- 1. Always ensure the power is completely OFF before any installation or maintenance.**
- 2. The fixture must be installed by a qualified licensed electrician**



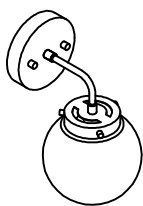
1. Ensure main supply is switched off.

2. Put the anchoring (1) into the hole on the wall, have the screw (2) through the mounting bracket, and tighten with anchoring.

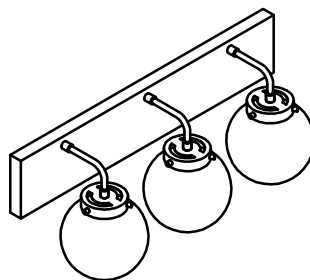
3. Have the mounting screw (3) through the mounting bracket and screw into octagon box.

4. Connect the wires using wire nuts, tight mounting bracket and back plate using screws (4).

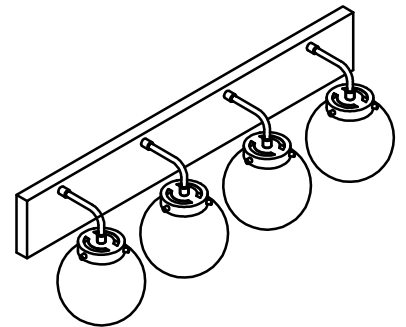
5. Install the light bulb (not provided) to the socket, secure the glass shade by using screw (5).



WS1718-1CH/BKCL
WS1718-1CH/BKOP
WS1718-1AB/BKCL
WS1718-1AB/BKOP



VL1718-3CH/BKCL
VL1718-3CH/BKOP
VL1718-3AB/BKCL
VL1718-3AB/BKOP



VL1718-4CH/BKCL
VL1718-4CH/BKOP
VL1718-4AB/BKCL
VL1718-4AB/BKOP