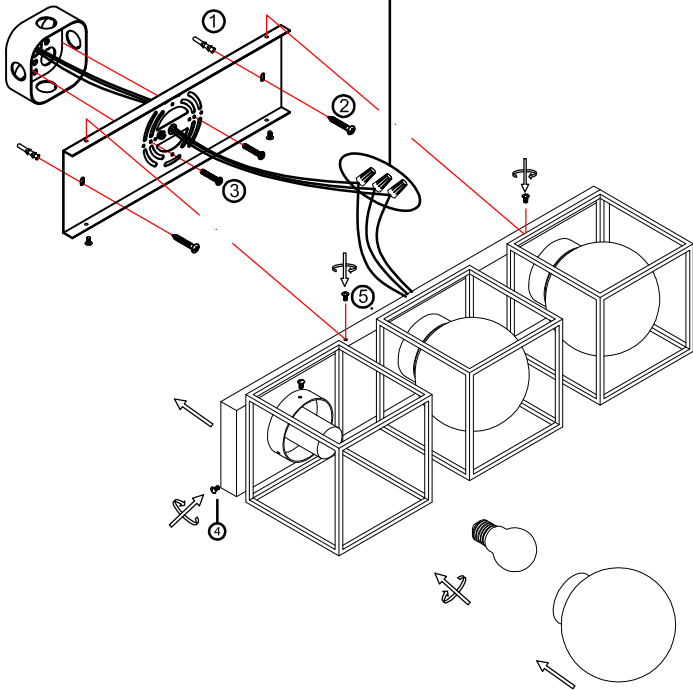
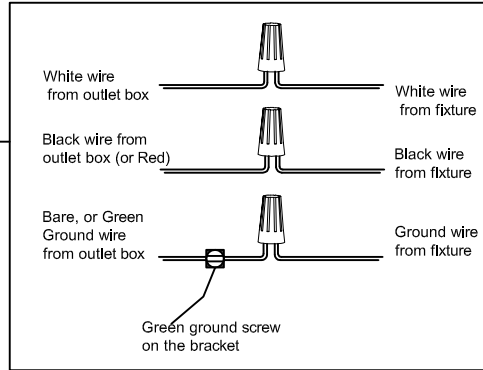


INSTRUCTION MANUAL

1. Always ensure the power is completely OFF before any installation or maintenance.
2. The fixture must be installed by a qualified licensed electrician



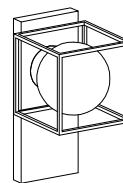
1. Ensure main supply is switched off.

2. Put the anchoring (1) into the hole on the wall, have the screw (2) through the mounting bracket, and tighten with anchoring.

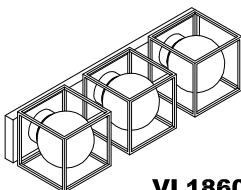
3. Have the mounting screw (3) through the mounting bracket and screw into octagon box.

4. Install the light bulb (not provided) to the socket, put the glass shade to the socket cup and tighten with screw (4).

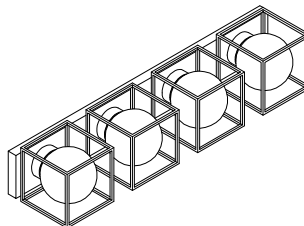
5. Connect the wires using wire nuts, tight mounting bracket and back plate using screws (5).



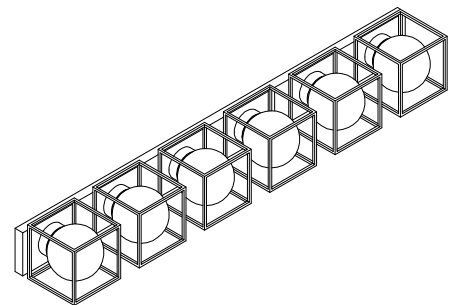
WS1860-1BK
WS1858-1CH
WS1857-1AB



VL1860-3BK
VL1858-3CH
VL1857-3AB



VL1860-4BK
VL1858-4CH
VL1857-4AB



VL1860-6BK
VL1858-6CH
VL1857-6AB