

LED Product Information and Warnings

Important

- **Always disconnect the power before installing or replacing bulbs and before cleaning or other maintenance.**
- **Consult a qualified, licensed electrician to ensure correct branch circuit conductor.**

- Please read all included assembly instructions and warnings carefully before installation. Contact Customer Service if you have any questions or concerns. Before installation, please confirm that the fixture is compatible with your supply voltage and dimming system, if present.
- LEDs are highly sensitive electronic devices, and must be treated with care. Do not open any factory sealed compartments, and avoid touching the LEDs with your hands or any object.
- Although all our fixtures are equipped with protective devices, LED fixtures are vulnerable to power surges and supply variations. Do not install LED fixtures on the same circuit as any motors, appliances, or HVAC systems.
- Do not remove or bypass any LED Driver or Transformer that is provided with the fixture, and do not replace or substitute with another power supply.
- Remote LED Driver or Transformer installation must be done by a licensed electrician and in accordance with local codes. Remote installations should be in an accessible location, as close to the fixture as possible.
- Fixtures must be wired in parallel on independent leads; do not "daisy chain" multiple fixtures together or wire them in series.
- All factory-made splices and connections must remain intact. LED circuits are carefully designed and built, and improper connections may damage the fixture.
- The ends of coaxial pendant cords have been precisely stripped and split at the factory and must not be field cut. Excess cord or cable should be neatly coiled and reserved in the fixture canopy.
- Any mounting hardware is provided for your convenience and should be used with discretion. Always use the appropriate hardware for the mounting surface.

February 11, 2015

Assembly Instructions

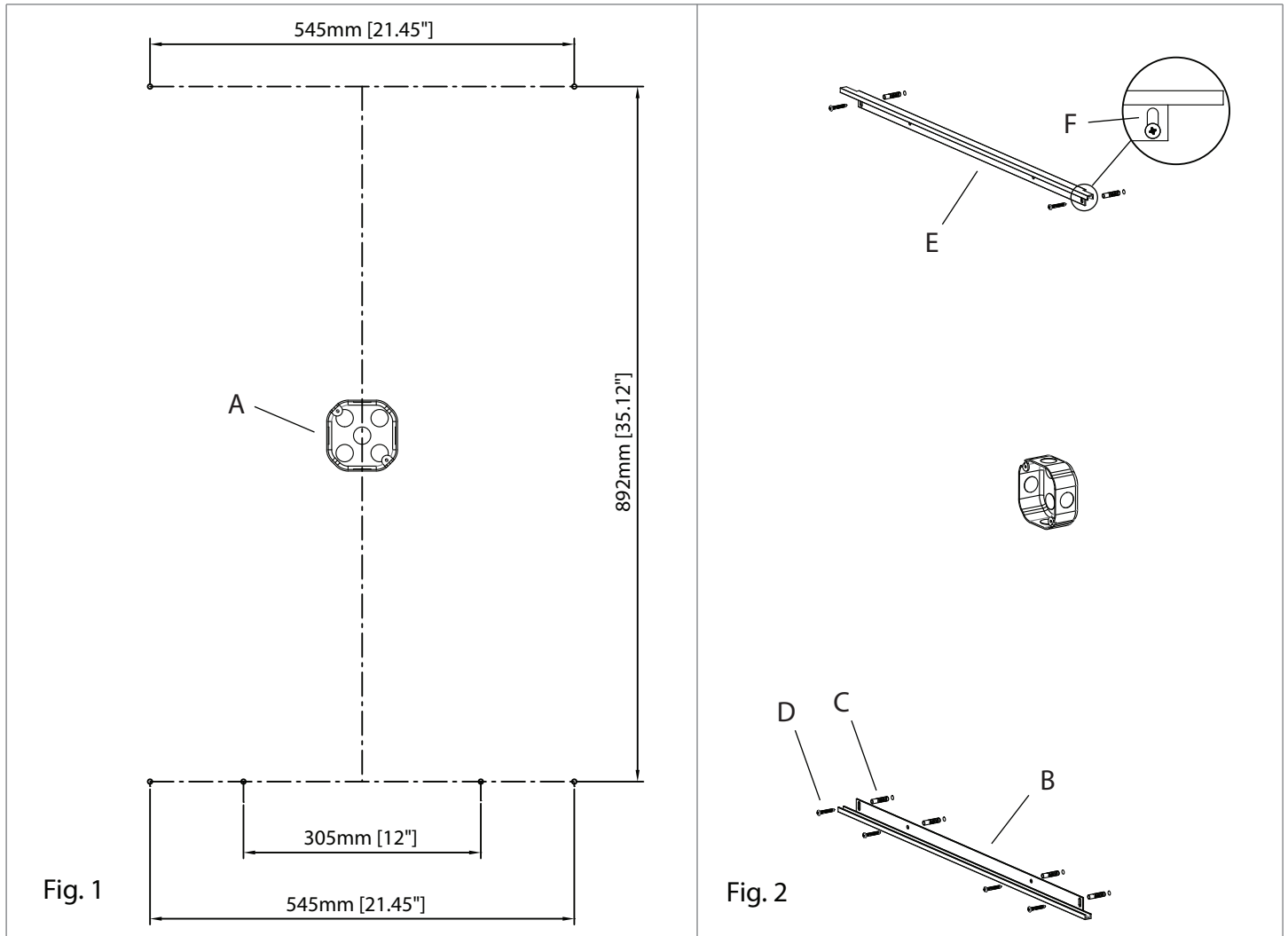
2550, 2554

INSTRUCTIONS D'INSTALLATION

Vanity Series - Slim Vertical LED Mirror Kit, Wide Vertical LED Mirror Kit

Important

- Always disconnect the power before installing or replacing bulbs and before cleaning or other maintenance.
 - Consult a qualified, licensed electrician to ensure correct branch circuit conductor.
- Consulter un électricien qualifié pour vous assurer que les conducteurs de la dérivation sont adéquats.*



1. Shut off power to the outlet box (A) located behind the desired mirror location.
2. Drill six 6mm diameter holes in the wall according to (Fig. 1). You may also use the mirror and mirror brackets as a template.
3. Attach the bottom mirror bracket (B) to the wall with four anchors (C) and wood screws (D). (Fig. 2)
4. Attach the top mirror bracket (E) to the wall with two anchors (C) and two wood screws (D), using the outer slots (F).
Leave the screws slightly loose, so the top mirror bracket can slide up and down in the slots. (Fig. 2)

Note

- This fixture is dimmable with Electronic Low Voltage (Trailing-Edge) type dimmers only.

Care Instructions

- **Dusting:** Use a clean, dry cloth.
- **Cleaning:** To protect the finish, avoid any harsh abrasives or chemicals.

February 11, 2015

Assembly Instructions

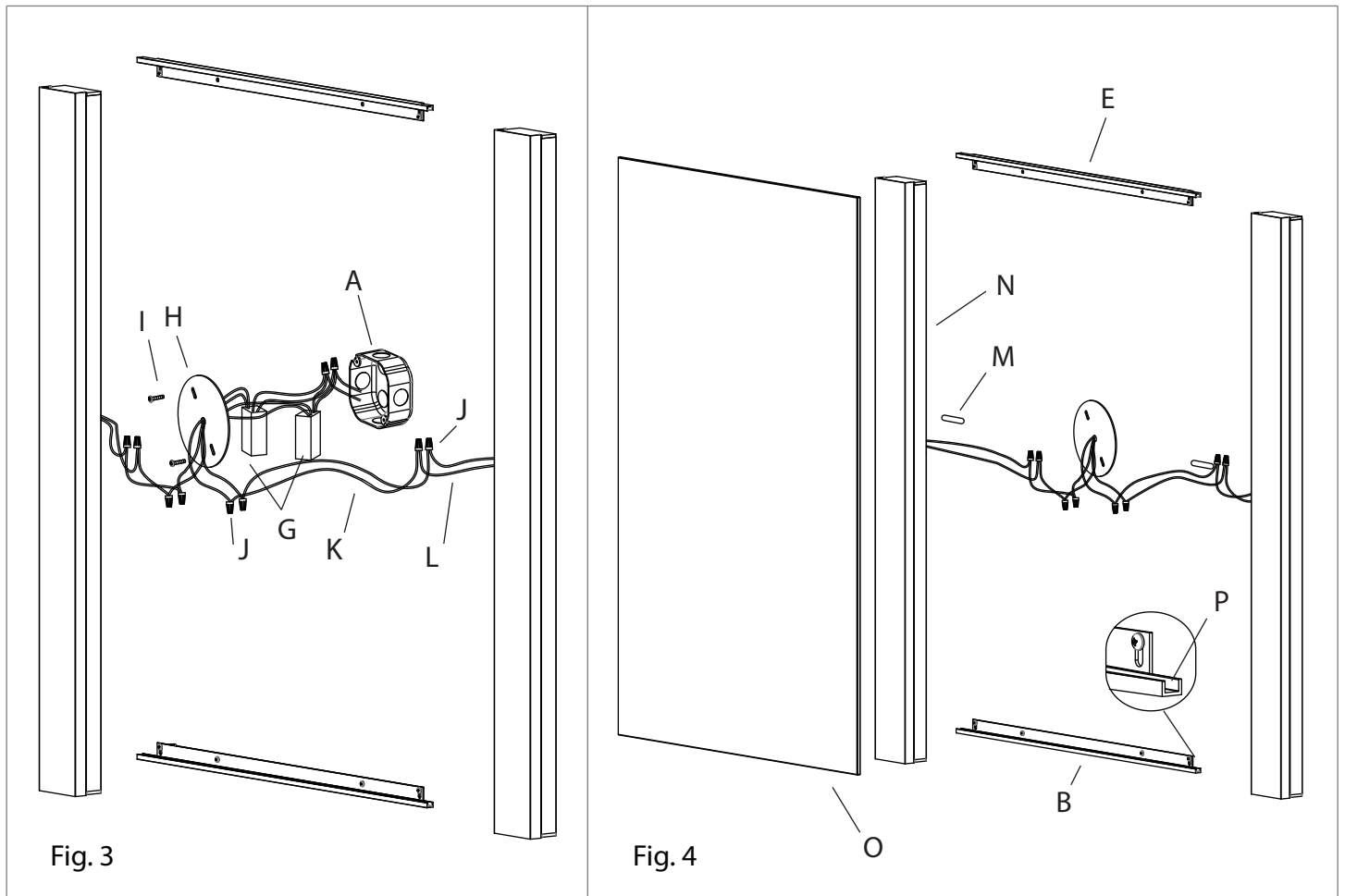
2550, 2554

INSTRUCTIONS D'INSTALLATION

Vanity Series - Slim Vertical LED Mirror Kit, Wide Vertical LED Mirror Kit

Important

- Always disconnect the power before installing or replacing bulbs and before cleaning or other maintenance.
 - Consult a qualified, licensed electrician to ensure correct branch circuit conductor.
- Consulter un électricien qualifié pour vous assurer que les conducteurs de la dérivation sont adéquats.*



5. Make appropriate electrical connections using the large wire nuts:
 - a. Connect the transformer's (G) live wires (black) to the live outlet box wire.
 - b. Connect the transformer's neutral wires (white) to the neutral outlet box wire.
 - c. Using the green screw (included) connect outlet box's ground wire to the cover plate (H) .
 - d. Carefully place connections and transformers (G) in the outlet box (A). (Fig. 3)
6. Pull the red transformer (G) output wires through the hole in the cover plate (H), then attach the cover plate to the outlet box (A) and secure with outlet box screws (I). (Fig. 3)
7. Using the small wire nuts (J), attach one of the red extension wires (K) to each of the red transformer (G) output wires. Using the small wire nuts (J) attach one of the red extension wires (K) to each of the red fixture wires (L). (Fig. 3)
8. Cut two small slots (M) in the wall for the wires to pass behind the fixtures (N). (Fig. 4)
9. Place the bottom edge of the mirror (O) into the channel (P) on the bottom mirror bracket (B). Slide the top mirror bracket (E) up, and tip the mirror against the wall. Slide the top mirror bracket down so the top edge of the mirror fits into the channel. (Fig. 4)

Note

- This fixture is dimmable with Electronic Low Voltage (Trailing-Edge) type dimmers only.

Care Instructions

- **Dusting:** Use a clean, dry cloth.
- **Cleaning:** To protect the finish, avoid any harsh abrasives or chemicals.

February 11, 2015

Assembly Instructions

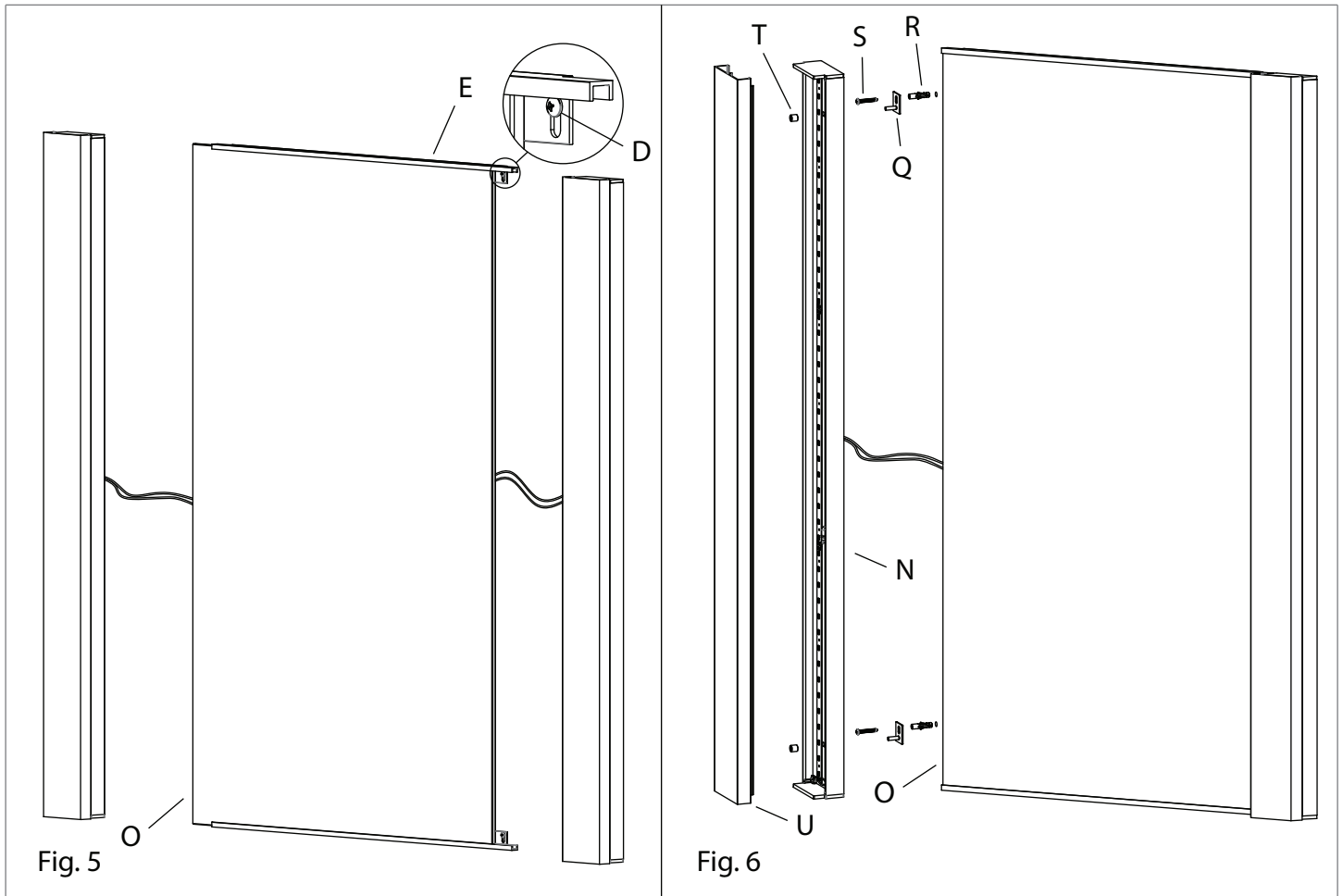
2550, 2554

INSTRUCTIONS D'INSTALLATION

Vanity Series - Slim Vertical LED Mirror Kit, Wide Vertical LED Mirror Kit

Important

- Always disconnect the power before installing or replacing bulbs and before cleaning or other maintenance.
 - Consult a qualified, licensed electrician to ensure correct branch circuit conductor.
- Consulter un électricien qualifié pour vous assurer que les conducteurs de la dérivation sont adéquats.*



- Slide the mirror (O) to the left to expose the wood screw (D) holding the top mirror bracket (E). Tighten the wood screw to secure. Slide the mirror to the right and repeat for the other wood screw, then center the mirror on the brackets. (Fig. 5)
- Drill the fixture mounting holes according to the Assembly Instructions provided with your fixture, so that the fixture (N) is flush against the side of the mirror (O). (Fig. 6)
- Attach the mounting plates (Q) to the wall with the anchors (R) and wood screws (S) provided with your fixture. (Fig. 6)
- Push the wire behind the mirror (O) through the slots (M). (Fig. 4)
- Attach the fixture (N) to the stud(s) on the mounting plates (Q), secure with finials (T). (Fig. 6)
- Snap the acrylic diffuser (U) on to the fixture (N). (Fig. 6)
- Restore power to the fixture.

Note

- This fixture is dimmable with Electronic Low Voltage (Trailing-Edge) type dimmers only.

Care Instructions

- **Dusting:** Use a clean, dry cloth.
- **Cleaning:** To protect the finish, avoid any harsh abrasives or chemicals.