



Luz Azul 9318

project name:

project location:

specifier name:

specifier location:

quantity:

fixture type:

modifications:

Base Specs

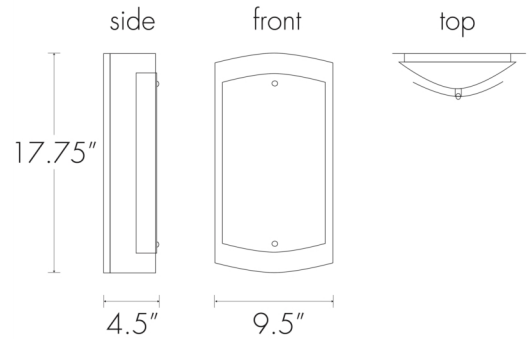
17.75"h x 9.5"w x 4.5"d

Notes

Marine grade primer available — **±\$ Inquire.**

Multiple Sizes Available

- 9318 | 17.75"h x 9.5"w x 4.5"d
- 9318-12 | 11.75"h x 7.5"w x 4"d
- 9318-24 | 23.75"h x 9.5"w x 4.5"d





Luz Azul 9318

standard finish:

- BA - Bronze Age
- BK - Black
- BP - Black Pearl
- CB - Cast Bronze
- CH - Chestnut
- CR - Chrome
- DI - Dark Iron
- EB - Empire Bronze
- MB - Medieval Bronze
- NB - New Brass
- SB - Smokey Brass
- SP - Satin Pewter
- SS - Smoked Silver

premium finish:

- RCU - Raw Copper Unfinished

lampping:

- 01:** Incandescent, 1 x E26 - 60W max ea, A-Type, 120V, Standard Phase Dimming, UL/cUL Wet
- 02:** 8.4w Integrated LED, 1181 Initial Lumens, 3000K, 90 CRI, 120V, Standard Phase Dimming, UL/cUL Wet
- 03:** Incandescent, 2 x E26 - 60W max ea, A-Type, 120V, Standard Phase Dimming, UL/cUL Dry/Damp
- 04:** 14w Integrated LED, 2198 Initial Lumens, 3000K, 90 CRI, 120V-277V, 0-10V Dimming, UL/cUL Dry/Damp
- 10:** Wattage Restriction Label - 2 x E26 for LED Retrofit 20W max ea - A-Type, 120V, Standard Phase Dimming, UL/cUL Dry/Damp
- 14:** 8.4w Integrated LED, 1181 Initial Lumens, 3000K, 90 CRI, 120V, Standard Phase Dimming, UL/cUL Dry/Damp

standard diffuser:

- OA - Opal Acrylic

premium diffuser:

- CO - Caramel Onyx
- FA - Faux Alabaster
- TS - Tea Stained
- WS - White Swirl

