



Basics 9260-18

project name:

project location:

specifier name:

specifier location:

quantity:

fixture type:

modifications:

Base Specs

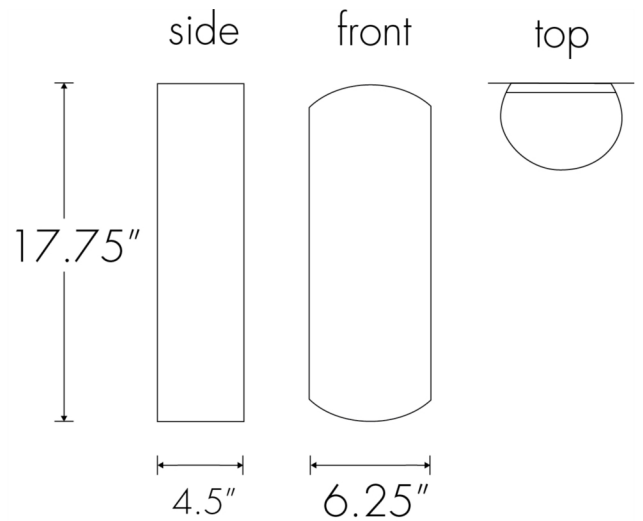
17.75"h x 6.25"w x 4.5"d

Notes

Dark Sky friendly available — **±\$ Inquire.**
Marine grade primer available — **±\$ Inquire**

Multiple Sizes Available

9260 | 11.75"h x 6.25"w x 4.5"d
9260-18 | 17.75"h x 6.25"w x 4.5"d





Basics 9260-18

standard finish:

BA - Bronze Age
BK - Black
BP - Black Pearl
CB - Cast Bronze
CH - Chestnut
CR - Chrome
DI - Dark Iron
EB - Empire Bronze
MB - Medieval Bronze
NB - New Brass
SB - Smokey Brass
SP - Satin Pewter
SS - Smoked Silver

premium finish:

RCU - Raw Copper
Unfinished

lampping:

01: Incandescent, 1 x E26 - 60W max ea, A-Type, 120V, Standard Phase Dimming, UL/cUL Wet

02: 8.4w Integrated LED, 1181 Initial Lumens, 3000K, 90 CRI, 120V, Standard Phase Dimming, UL/cUL Wet

03: Incandescent, 1 x E26 - 60W max ea, A-Type, 120V, Standard Phase Dimming, UL/cUL Dry/Damp

04: 9.38w Integrated LED, 1444 Initial Lumens, 3000K, 90 CRI, 120V-277V, 0-10V Dimming, UL/cUL Dry/Damp

10: Wattage Restriction Label - 1 x E26 for LED Retrofit 20W max ea - A-Type, 120V, Standard Phase Dimming, UL/cUL Dry/Damp

14: 8.4w Integrated LED, 1181 Initial Lumens, 3000K, 90 CRI, 120V, Standard Phase Dimming, UL/cUL Dry/Damp

