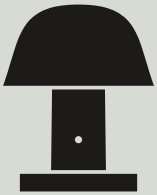


## Instructions

# Setago JH27 Jaime Hayon 2019

---



Congratulations with your new Setago lamp, designed in 2019 by Jaime Hayon. We hope you will enjoy using this product and follow these instructions to ensure correct installation. If you have any questions or comments, please do not hesitate to contact us by mail on:  
[info@andtradition.com](mailto:info@andtradition.com)

**&Tradition®**

# Setago JH27

## Jaime Hayon

### 2019

Please read these instructions carefully and retain them for future reference to ensure that the product is used correctly. For your own safety, please study each step of this instruction manual first. &Tradition is not responsible for any faults or damages caused by not following these instructions correctly. Do not modify this product in any way.

#### Contents

- A Setago lamp
- B Micro USB charging cable
- C LED G4 3W dimmable light bulb

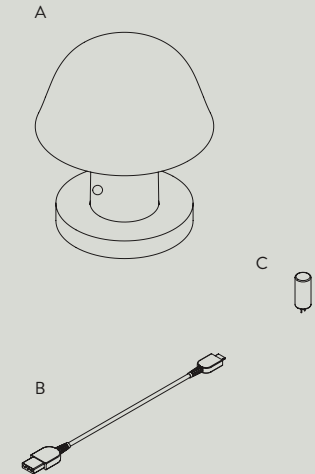
#### Safety precautions

- Dispose of plastic bag from packaging and do not allow children to play with it.
- Keep product well out of children's reach.
- This lamp is for indoors use only. It can be taken outdoors, but must be kept and stored indoors.
- Batteries must be disposed of according to local environmental laws for waste disposal.

#### Cleaning instructions

- Wipe the surface with a soft, damp sponge or cloth, and wipe immediately after with a dry cloth.
- Do not use any abrasive cleaning tools such as steel wool, scouring sponges or stiff brushes.
- Never use strong cleaning agents such as white spirit, turpentine, household glass cleaner or cellulose thinner.

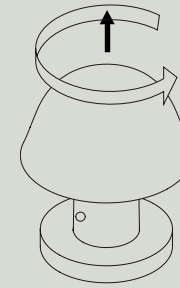
&Tradition will not accept any responsibility for any accidents or injuries that occurs due to the use of incorrect battery/LED light bulb. The battery must be removed from the luminaire before it is scrapped; the appliance must be disconnected from the supply mains when removing the battery; the battery must be disposed safely. For LED bulb and battery information or inquiry, please do not hesitate to contact &Tradition by mail on [info@andtradition.com](mailto:info@andtradition.com).



**For indoor**  
Input 5.0V === 600mA USB cable  
G4 Max 3 Watt dimmable LED bulb  
1 × Rechargeable &Tradition battery

**Charging time:** 8 hours

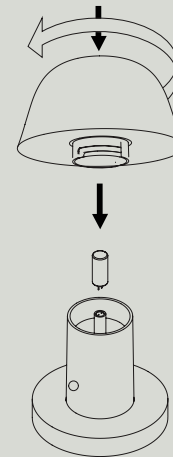
**Operating time in highest light setting:** 10 hours



#### Step 1

The lamp is delivered with the shade already attached, but without the light source installed.

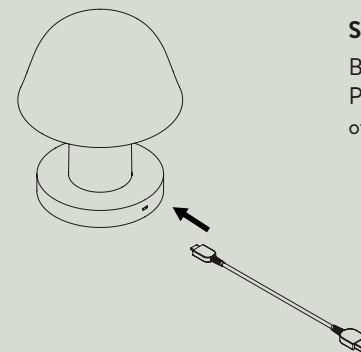
To install the light source, unlock the shade by turning clockwise and lift it up from the base.



#### Step 2

Install the light source by inserting the LED bulb into the socket.

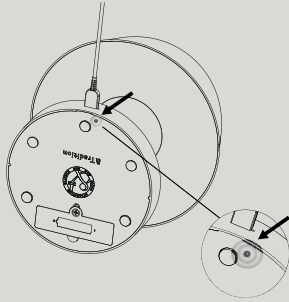
Lower the shade onto the base and fasten it by turning the shade counterclockwise.



#### Step 3

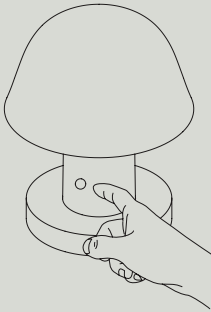
Before use, the battery in the lamp needs to be charged. Plug in the micro USB cable into the USB port in the bottom of the base and connect the USB cable to a power supply.





#### Step 4

When the lamp is charging a red light will show in the bottom of the lamp. When the lamp is fully charged the red light in the bottom will turn off.



#### Step 5

The light intensity of the lamp can be adjusted by touching the brass dimmer knob on the lamp.

The lamp has 3 light intensity levels: 100%, 70% and 40%.