

## Instructions

# Manhattan SC52 Space Copenhagen 2020

---

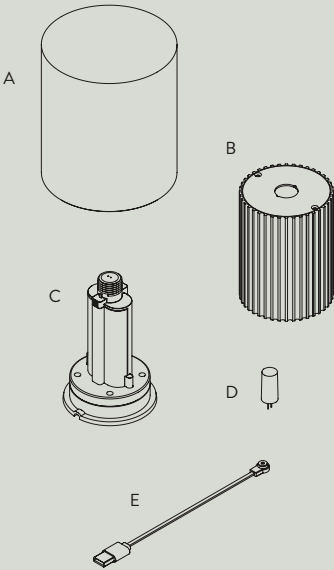


Congratulations on your new Manhattan lamp, designed in 2020 by Space Copenhagen. We hope you will enjoy using this product and follow these instructions to ensure correct installation. If you have any questions or comments, please do not hesitate to contact us by mail at: [info@andtradition.com](mailto:info@andtradition.com)

**&Tradition®**

# Manhattan SC52 Space Copenhagen 2020

---



Please read these instructions carefully and retain them for future reference to ensure that the product is used correctly. For your own safety, please study each step of this instruction manual first. &Tradition is not responsible for any faults or damages caused by not following these instructions correctly. Do not modify this product in any way.

## Contents

- A Lamp shade
- B Lamp base
- C Battery compartment (incl. 1 battery)
- D LED G4 1W light bulb
- E Magnetic USB charging cable

## Tools needed

Screwdriver (for battery replacement)

## Safety precautions

- Dispose of plastic bag from packaging and do not allow children to play with it.
- Keep product well out of children's reach.
- The lamp is only intended for interior use.
- Consult a professionally qualified electrician if in any doubt.
- Do not place the USB cable within reach of small children or anywhere with a risk of falling over it.

## Cleaning instructions

- Wipe surface of the shade with a dry cloth.
- Do not use any abrasive cleaning tools such as steel wool, scouring sponges or stiff brushes.
- Never use strong cleaning agents such as white spirit, turpentine, household glass cleaner or cellulose thinners.

For indoor use only  
Input 5.0V  $\equiv$  2A USB cable  
G4 Max 1.5 Watt dimmable LED bulb  
1  $\times$  Rechargeable &Tradition battery

### Charging time

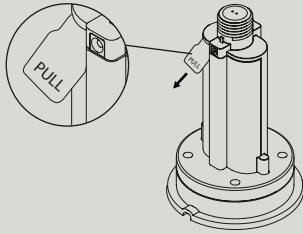
1 battery: 3.5 hours  
2 batteries: 6 hours

### Operating time on highest setting

1W LED light bulb    1 battery: 11 hours  
                                  2 batteries: 20 hours

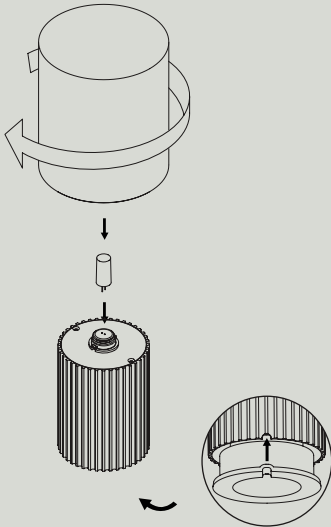
&Tradition will not accept any responsibility for any accidents or injuries that occurs due to the use of incorrect USB cable input. The battery must be removed from the luminaire before it is scrapped; the appliance must be disconnected from the supply mains when removing the battery; the battery must be disposed safely.

For further information or inquiry, please do not hesitate to contact &Tradition by mail on [info@andtradition.com](mailto:info@andtradition.com).



### Step 1

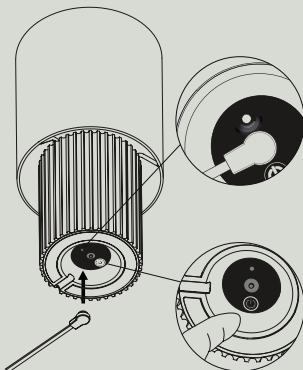
Remove plastic slip to activate the battery by pulling the slip out from the compartment.



### Step 2

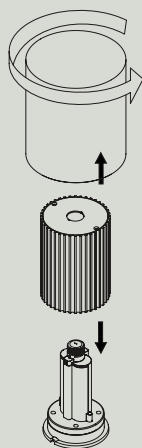
Insert the LED light bulb. Carefully lower the shade onto the base and turn clockwise to install it.

**Make sure the groove in the battery compartment is aligned with the same groove of the base.**



### Step 3

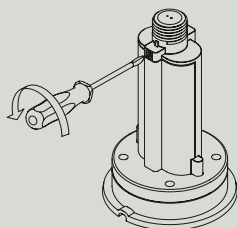
Before use, the battery in the lamp needs to be charged. Attach the magnetic USB cable onto the magnetic bottom on the base and connect the USB cable to a power supply.



## Replacing battery

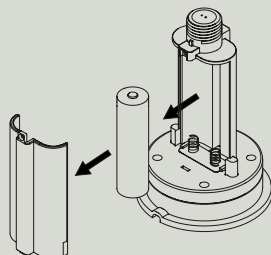
### Step 1

To replace the battery, start by deattaching the shade by turning counter clockwise and lift off the shade. Remove the LED light bulb. Gently press on top of the socket until the battery compartment pops out of the bottom.



### Step 2

Unscrew the screw in the battery compartment by turning counter clockwise and remove the lid.



### Step 3

Remove the battery and replace it with a new one. Place the battery correctly by turning the plus and minus pole as stated in the battery compartment. When reinstalling the lid please be aware to mount it gently by not overturning the screw in the threading.

Remember to only use official rechargeable batteries from &Tradition. If desired, two batteries can be installed to achieve longer operation time.