

Instructions

Flowerpot VP3 Verner Panton 1968



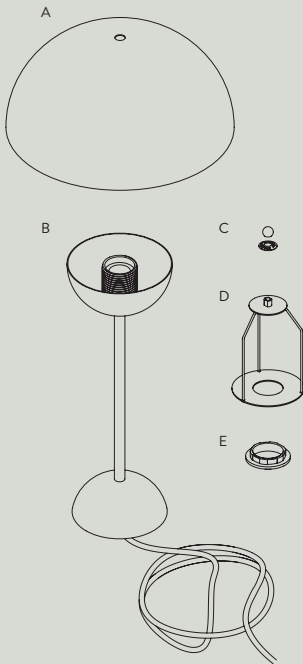
Please read these instructions carefully and retain them for future reference to ensure the product is used correctly. For your own safety, please study each step of this instruction manual first. &Tradition is not responsible for any faults or damage caused by not following these instructions correctly. Do not modify this product in any way. If you have any questions or comments, please do not hesitate to contact us by mail on: info@andtradition.com

&Tradition®

Flowerpot VP3

Verner Panton

1968



Safety precautions

- Dispose of plastic bag from packaging immediately and keep out of reach of children.
- The lamp is only intended for interior use.
- Do not place the cable within reach of small children or anywhere there is a risk of it becoming a trip hazard.
- If the external cable or cord of the lamp is damaged, it must be replaced by the manufacturer or a similarly qualified person to avoid any potential hazards.
- Consult a professionally qualified electrician if in any doubt.
- Keep the product well out of reach of children.

Contents

- A** Lampshade
- B** Lamp base
- C** Logo ring & ball nut
- D** Shade stand
- E** Lamp holder ring

Tools needed

- Bulb type E27

Cleaning instructions

- Wipe surface of the shade with a dry cloth.
- Do not use any abrasive cleaning tools such as steel wool, scouring sponges or stiff brushes.
- Never use strong cleaning agents such as white spirit, turpentine, household glass cleaner or cellulose thinners.

08/23

For indoor use only
E14 Maximum 40W
Bulb not included

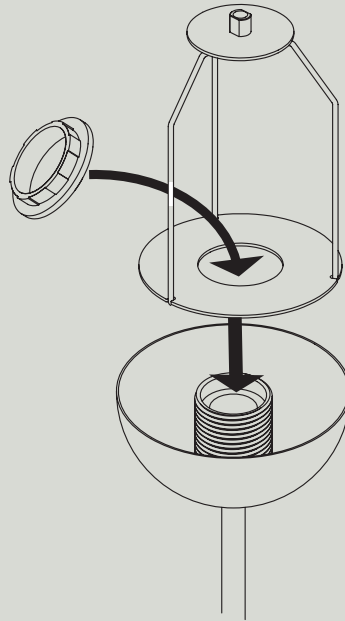


&Tradition®

Please follow steps 1 to 4 to assemble the product.

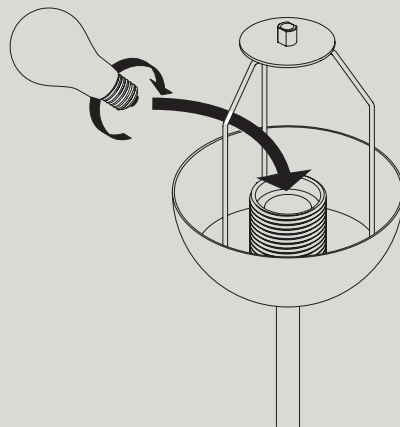
Step 1 / 4

Unpack the lamp. Place the shade stand onto the socket and fix in place by mounting the plastic ring.



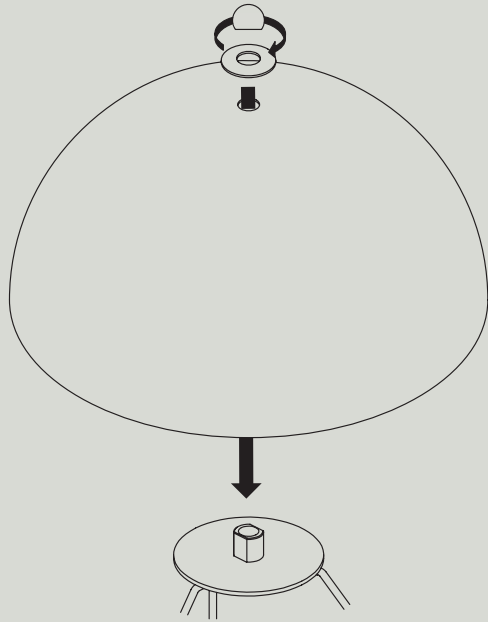
Step 2 / 4

Place the light bulb on the socket and ensure that it sits tight. Avoid using a bulb which comes in direct contact with the shade.



Step 3 / 4

Place the shade on top of the shade stand. Put the logo ring on top of the shade and mount and tighten the ball nut. Ensure that the shade is tightly assembled to the lamp.



Step 4 / 4

Connect the lamp to an electrical socket and enjoy using your new lamp.

