

# FLOS

F0011009 White

## Tight Light

Designed by Piero Lissoni, 2011

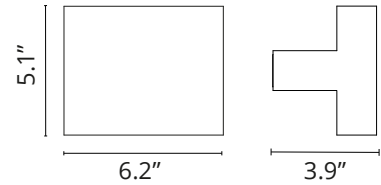


20W - 1989lm - 3000K

Direct/indirect light wall lamp. Body in painted extruded aluminium. Lateral friezes in pressofused aluminium turned up to 45° on digital control for perfect mating with the lamp body. Diffusers in injection printed PMMA with photo-engraved finish. Injection printed wall attachment in PA66. Multi-voltage power pack integrated in the body.

Are you a professional and your project needs consulting and support?

[BOOK AN APPOINTMENT](#)



### Main specifications

EAN	8059607013045
Mounting	Wall
Environments	Indoor dry location
Light Source Type	LED
LED type	LED Module
Power (W)	20
System flux (lm)	1989

### Physical

Color	White
Net weight (lb)	2.21
Package height (in)	6.3
Package width (in)	7.09
Package length (in)	8.27
Package volume (in)	368.58
IP internal	20

### Download

[Mounting instructions](#) PDF

[Spare Parts](#) PDF

### Photometric Files

[LDT / IES](#) LDT

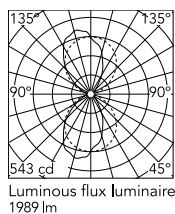
### Technical Drawings

[2D](#) ZIP

[3D](#) ZIP



## Schematic light drawing



Beam Angle:

h(m)	E(lx)	D(m)
1	516	1.42
2	129	2.83
3	57	4.25
4	32	5.67
5	21	7.08

## Photometric

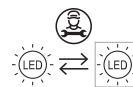
Lighting type	Indirect, Direct
Light distribution	Symmetric
CCT (K)	3000

## Electrical

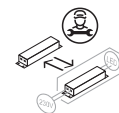
Insulation class	I
Frequency (Hz)	50/60
Main voltage (Vac)	100-240
LED voltage Vf (Vdc)	null
Driver	Integrated
Dimmable	No
Dimming type	Non Dimmable
Dimming interface	Not Dimmable
Batteries inside	No
Charging min time	No

## Ecodesign and Energy Labelling

This product contains a light source of energy efficiency class **D**



Replaceable (LED only) light source by a professional



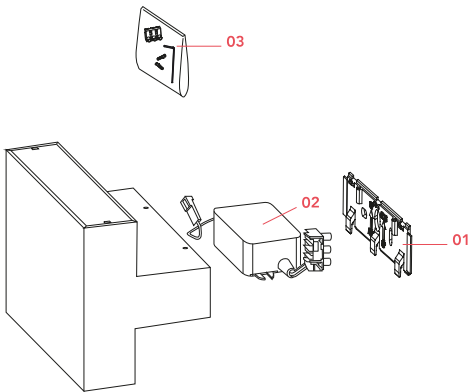
Replaceable control gear by a professional

## Spare Parts

02. Driver assembly

RF0011100

**DOWNLOAD**





RF0011100

Driver assembly