

INSTALLATION INSTRUCTIONS

For Model 72383

WARNING! SHUT POWER OFF AT FUSE OR CIRCUIT BREAKER.

AVERTISSEMENT! COUPER LE COURANT AU NIVEAU DES FUSIBLES OU DU DISJONCTEUR.

HANGING THE FIXTURE (Fig. 1)

1. Shut off the power at the circuit breaker and remove the old fixture, including the mounting hardware.
2. Carefully unpack your new fixture and lay out all the parts on a clear area. Take care not to lose any small parts necessary for installation.
3. Attach the crossbar (C) to the outlet box (A) (not supplied) with mounting screws (B) (Size: #8-32*0.78"L)
4. Thread the nipple (E) into crossbar (C). Note: The length of nipple (E) into crossbar (C) may be adjusted if necessary.

CONNECTING THE WIRES (Fig. 2)

5. Connect the electrical wires as shown in Fig.2 making sure that all wire connectors are secured. If your outlet box has a ground wire (green or bare copper), connect the fixture's ground wire to it. Otherwise, connect the fixture's ground wire directly to the circular strap using the green screw provided.

COMPLETING THE INSTALLATION (Fig. 1)

6. Place the backplate (H) over the nipple (E) and secure with lock nut (F).
7. To prevent moisture from entering the outlet box and causing a short, use clear caulking (i.e. Indoor/Outdoor Silicone Sealant) to outline the outside of fixture backplate where it meets the wall leaving a space at bottom to allow moisture a means to escape. (Fig. 3)
8. Take off the frame (G) by losing the 4 screws (J), install bulb (2 x GU10 35W, **not included.**) **DO NOT EXCEED THE MAXIMUM WATTAGE RATING! (NE PAS DEPASSER LA PUISSANCE NOMINALE MAXIMALE!)**
9. Use 4 screws (J) to fix frame (G) back onto backplate (H).

Your installation is now complete. Return power to the junction box and test the fixture.

Fig. 1

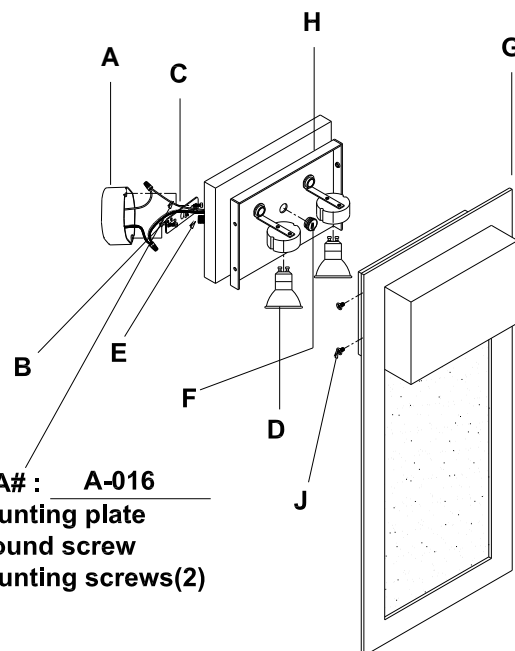


Fig. 2

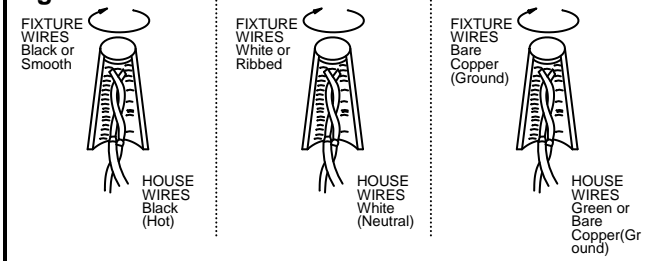


Fig. 3

