

# INSTALLATION INSTRUCTIONS

For Model 72471-66/72472-66/72473-66/72477-66

READ AND SAVE THESE INSTRUCTIONS

**WARNING! SHUT POWER OFF AT FUSE OR CIRCUIT BREAKER.**

**AVERTISSEMENT! COUPER LE COURANT AU NIVEAU DES FUSIBLES OU DU DISJONCTEUR.**

## HANGING THE FIXTURE (Fig. 1)

1. Shut off the power at the circuit breaker and remove the old fixture, including the mounting hardware.
2. Carefully unpack your new fixture and lay out all the parts on a clear area. Take care not to lose any small parts necessary for installation.
3. Thread the 2 mounting screws (B) into the circular strap (D) spaced the same distance apart as the holes in the fixture back plate. (You can adjust the length of the screws if necessary.)
4. Attach the mounting plate (D) to the outlet box (A) (not supplied) with mounting screws (C). (Size: #8-32\*0.78"L). GND must face out.

## CONNECTING THE WIRES (Fig. 2).

5. Connect the electrical wires as shown in Fig.2. Making sure that all wire connectors are secured. If your outlet box (A) has a ground wire (green or bare copper), connect the fixture's ground wire to it. Otherwise, connect the fixture's ground wire directly to the circular strap (D) using the green screw provided.

## COMPLETING THE INSTALLATION (Fig.1)

6. Align the fixture back plate to circular strap (D) and secure with cap nuts (F).
7. Loosen the two screws (G) on the roof to remove cage and glass.
8. Install (1) one medium base bulb (T type, not included) up to 60 Watts or LED equivalent (not included), in accordance with the fixture specification. (DO NOT EXCEED THE MAXIMUM WATTAGE RATING) (NE PAS DEPASSER LA PUISSANCE NOMINALE MAXIMALE!)
9. Lift cage and glass to roof and secure with screws (G).
10. To prevent moisture from entering the outlet box and causing a short, use clear caulking (i.e. Indoor/Outdoor Silicone Sealant) to outline the outside of fixture back plate where it meets the wall leaving a space at bottom to allow moisture a means to escape. (Fig. 3)

**Your installation is now complete. Return power to the junction box and test the fixture.**

Fig.1

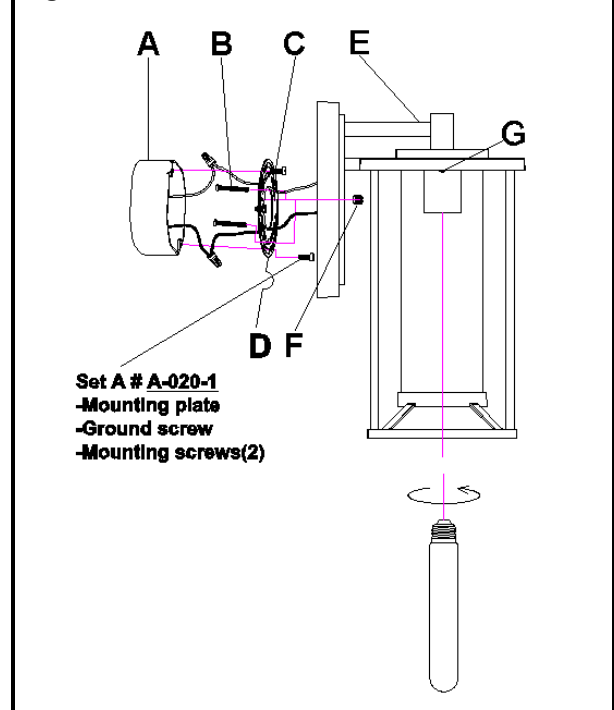


Fig. 2

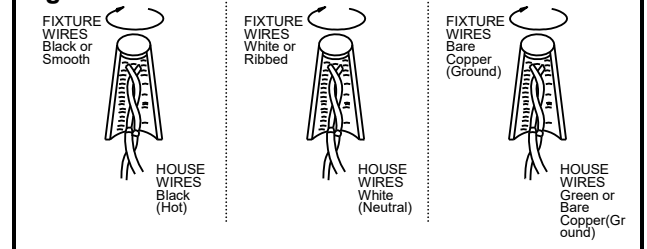


Fig. 3

