

INSTALLATION INSTRUCTIONS

Model# 73161/2/3-66

READ AND SAVE THESE INSTRUCTIONS

WARNING! SHUT POWER OFF AT FUSE OR CIRCUIT BREAKER.

AVERTISSEMENT! COUPER LE COURANT AU NIVEAU DES FUSIBLES OU DU DISJONCTEUR.

PREPARING FOR INSTALLATION (Fig. 1)

1. Shut off power at the fuse box or circuit breaker box and remove the old fixture including the mounting hardware.
2. Carefully unpack your new fixture and lay out all the parts in a clear area. Take care not to misplace any small parts necessary for installation.
3. Prior to installation, remove frame (J) from fixture assembly (L) by unscrewing the four ball nut screws (K), then un-screw the glass shade (I) from the socket base.
4. Attach mounting plate (B) using screws (E) to the outlet box (A), not included. The side of mounting plate marked "GND" must face out.

CONNECTING THE WIRES (Fig. 2)

5. Connect the electrical wires as shown in Fig 2, making sure that all wire connectors are secured. If your outlet box has a ground wire (green or bare copper), connect the fixture's ground wire to it. Otherwise, connect the fixture's ground wire directly to the mounting plate (B) using the ground screw (C) provided.

FINISHING THE INSTALLATION (Fig. 1)

6. Place the back plate (G) over mounting plate (B) and secure with two screws (F). Tighten until snug (Fig 1).
7. To prevent moisture from entering the outlet box (A) and causing a short, use clear indoor/outdoor silicone sealant to outline the outside of fixture back plate (G) where it meets the wall leaving a space at bottom to allow moisture a means to escape (Fig.3)
8. Install (1) one medium base bulb (H) up to 60 Watts, or CFL or LED equivalent (not included), in accordance with the fixture specification. (DO NOT EXCEED THE MAXIMUM WATTAGE RATING) (NE PAS DEPASSER LA PUISSANCE NOMINALE MAXIMALE!)
9. Screw the glass shade (I) back onto the socket base until tight. Place the frame (J) over the fixture assembly (L) and secure with four ball nuts (K).
10. This fixture is ETL Listed for Wet Location applications.

Your installation is now complete. Return power to the outlet box and test the fixture.

Fig. 1

Mounting Plate for 73161 / 73162-66 Part# A-020-112
Mounting Plate for 73163-66 Part# A-020-132
Ground screw (1)
Mounting screws (2)

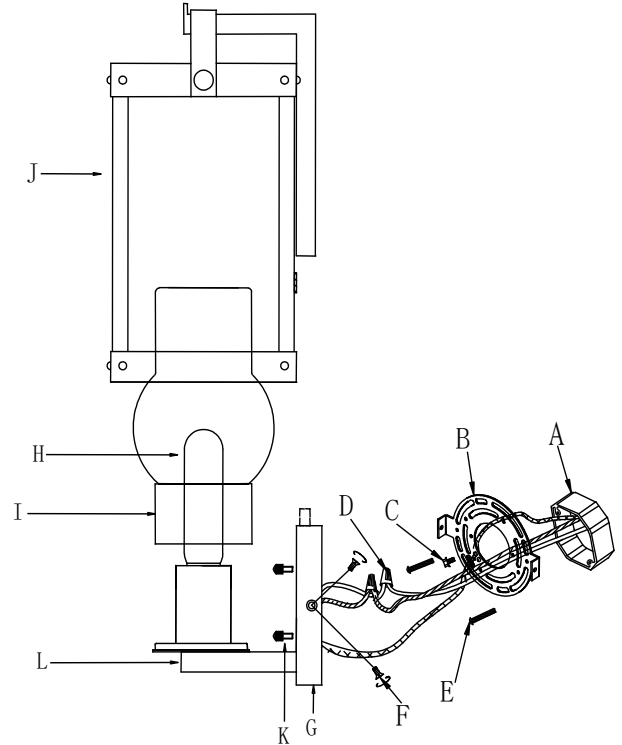


Fig.2

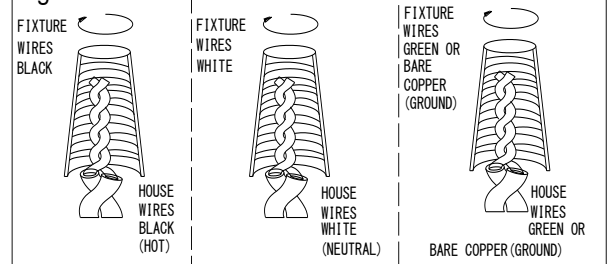
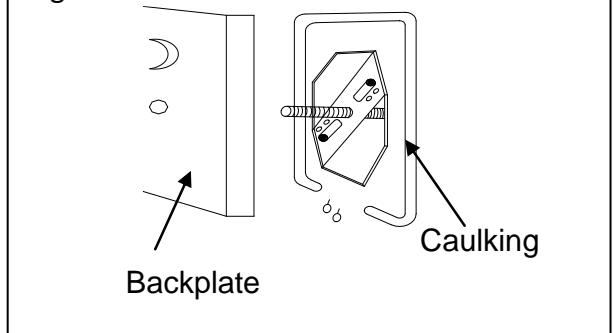


Fig 3



“CAUTION-RISK OF FIRE CONSULT A QUALIFIED ELECTRICIAN TO ENSURE CORRECT BRANCH CIRCUIT CONDUCTOR”

ATTENTION – RISQUE D'INCENDIE, CONSULTER UN ÉLECTRICIEN QUALIFIÉ POUR VOUS ASSURER QUE LES CONDUCTEURS DE LA DÉRIVATION SONT ADÉQUATS.