

# INSTALLATION INSTRUCTIONS

Model # 8932/8933

READ AND SAVE THESE INSTRUCTIONS

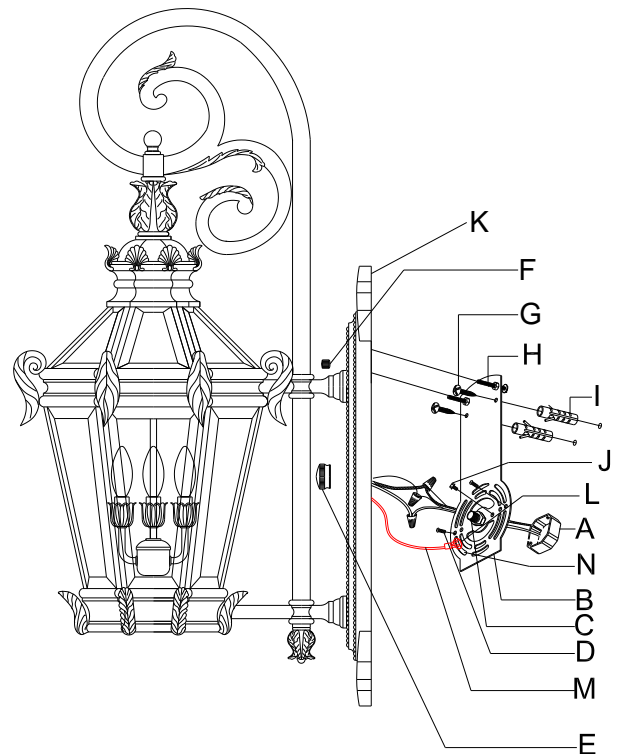
**WARNING! SHUT POWER OFF AT FUSE OR CIRCUIT BREAKER.**

**AVERTISSEMENT! COUPER LE COURANT AU NIVEAU DES FUSIBLES OU DU DISJONCTEUR.**

## PREPARING FOR INSTALLATION (Fig. 1)

1. Shut off power at the circuit breaker and remove the old fixture including the mounting hardware.
2. Carefully unpack your new fixture and lay out all the parts in a clear area. Take care not to misplace any small parts necessary for installation.
3. Align mounting plate (B) to the outlet box and use it as a template to mark the location of the wall anchors (I). Pre-drill the holes for the wall anchors (I) and insert the anchors into the wall.
4. Thread the studs (C) into the pre-drilled holes in the mounting plate (B) spaced the same distance apart as the holes in the back plate (K). The length of studs (C) into mounting plate (B) may be adjusted if necessary.
5. Attach mounting plate (B) using outlet box screws (D) to the outlet box (A) and screws (G) into wall anchors (I) (Fig 1).
6. Align back plate (K) onto the mounting plate (B) and slip the button stop (L) on the end of lanyard (M) and secure it into slot (N) located on mounting plate (B). (Fig 1)

Fig. 1

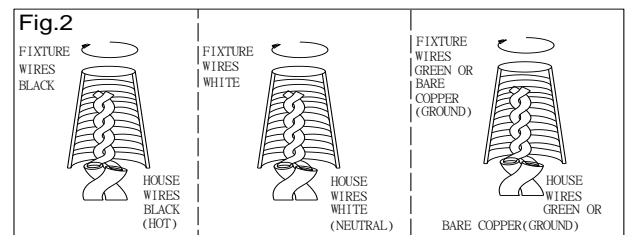


## CONNECTING THE WIRES (Fig. 2)

7. Connect the electrical wires as shown in Fig.2. Making sure that all wire connectors are secured. If your outlet box has a ground wire (green or bare copper), connect the fixture's ground wire to it. Otherwise, connect the fixture's ground wire directly to the long strap using the green screw (J) provided.

## COMPLETING THE INSTALLATION (Fig. 1)

8. To prevent moisture from entering the outlet box (A) and causing a short, use clear silicone sealant to outline the outside of fixture back plate (K) where it meets the wall leaving a space at bottom to allow moisture a means to escape.
9. Align back plate (K) onto nipple (C) and studs (H), and secure with cap nuts (E&F). (Fig 1)
10. At this point, install the light bulbs in accordance with the fixture specification—**DO NOT EXCEED THE MAXIMUM WATTAGE RATING! (NE PAS DEPASSER LA PUISSANCE NOMINALE MAXIMALE!)**



Your installation is now complete. Return power to the outlet box and test the fixture.

**“CAUTION-RISK OF FIRE CONSULT A QUALIFIED ELECTRICIAN TO ENSURE CORRECT BRANCH CIRCUIT CONDUCTOR”**

**ATTENTION – RISQUE D’INCENDIE, CONSULTER UN ÉLECTRICIEN QUALIFIÉ POUR VOUS ASSURER QUE LES CONDUCTEURS DE LA DÉRIVATION SONT ADÉQUATS.**



U.S. Patents: D438, 660;D434, 522; D437, 657

This product is protected by United States Federal and/or State Law, including Patent and/or Copyright laws. © Minka Lighting Inc.