

INSTALLATION INSTRUCTIONS

For Outdoor Lantern Item#8605-A179 (New. 04/30/2019)

READ AND SAVE THESE INSTRUCTIONS

WARNING! SHUT POWER OFF AT FUSE OR CIRCUIT BREAKER.

AVERTISSEMENT! COUPER LE COURANT AU NIVEAU DES FUSIBLES OU DU DISJONCTEUR.

PREPARATION (Fig.1)

1. Shut off power at the fuse box or circuit breaker box and remove the old fixture including the mounting hardware.
2. Carefully unpack your new fixture and lay out all the parts in a clear area. Take care not to misplace any small parts necessary for installation.

CONNECTING THE WIRES (Fig.2)

3. Pull black, white, and ground wires out of post (F).
4. Connect the electrical wires as shown in Fig. 2, while supporting the lantern (E). If your outlet has a ground wire (green or bare copper), connect the fixture ground wire to it. If not, consult your electrician for proper grounding. After wires are connected, tuck them carefully inside the post. Align the lantern with post and secure with screws (E). (Fig.1)

COMPLETING THE INSTALLATION

5. Install (1) one medium base bulb (B) up to 100 watts or CFL or LED equivalent (not included) in accordance with the fixture specification.—**DO NOT EXCEED THE MAXIMUM WATTAGE RATING! (NE PAS DEPASSER LA PUISSANCE NOMINALE MAXIMALE!)**
6. Put top dome (A) over the fixture body, and align slot (A) and point (D) on the fixture body at the same position, then secure with screws (C).

Your installation is now complete. Return power to the junction box and test the fixture.

Note: Illustration (Fig. 1) on this manual is for installation purposes only. It may or may not be identical to the fixture purchased.

Fig. 1

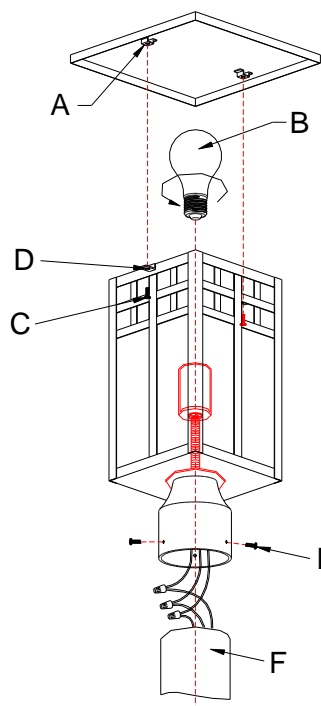


Fig. 2

