

# INSTALLATION INSTRUCTIONS

Model # 72494

READ AND SAVE THESE INSTRUCTIONS

**WARNING! SHUT POWER OFF AT FUSE OR CIRCUIT BREAKER.**

**AVERTISSEMENT! COUPER LE COURANT AU NIVEAU DES FUSIBLES OU DU DISJONCTEUR.**

## HANGING THE FIXTURE (Fig.1)

1. Shut off the power at the fuse box or circuit breaker box and remove the old fixture, including the mounting hardware. Carefully unpack your new fixture and layout All parts in a clear area. Take care not to lose any small parts necessary for installation.
2. Thread nipple (D) into loop (I) until snug.
3. Thread other end of nipple (D) into the crossbar (A) until snug and secure with I hex nut (F). Note the length of nipple (D) into crossbar (A) may need to be adjusted. Make sure "GND" facing outside.(E)
4. Attach the crossbar assembly to the ceiling outlet box(C)(not included) with screws (B). "GND" must face out.(E)
5. Determine the desired hanging height and remove the excess chain with pliers to avoid damaging the finish.
6. Open one end of the chain(J) and connect it to the fixture loop (K) and close the link. Thread the wire carefully through the chain links.
7. Place lock ring (H) followed by canopy (G) over the chain and allow them to carefully rest on the fixture body.
8. Open the other end of the chain(J) and attach it to chain loop (I) and close the link.
9. Feed the wires through loop (I), and nipple (D).

## CONNECTING THE WIRES (Fig.2)

10. Connect the electrical wires as shown in Fig. 2, making sure that all wire connectors are secured. If your outlet has a ground wire (green or bare copper), connect the fixture's ground wire to it. Otherwise, connect the fixture's ground wire directly to the crossbar using the green screw(E) provided. Tuck the wire connections neatly into the junction box.

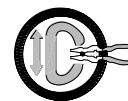
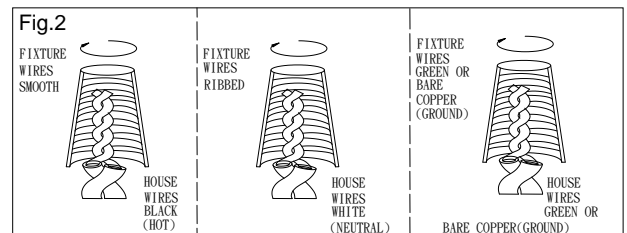
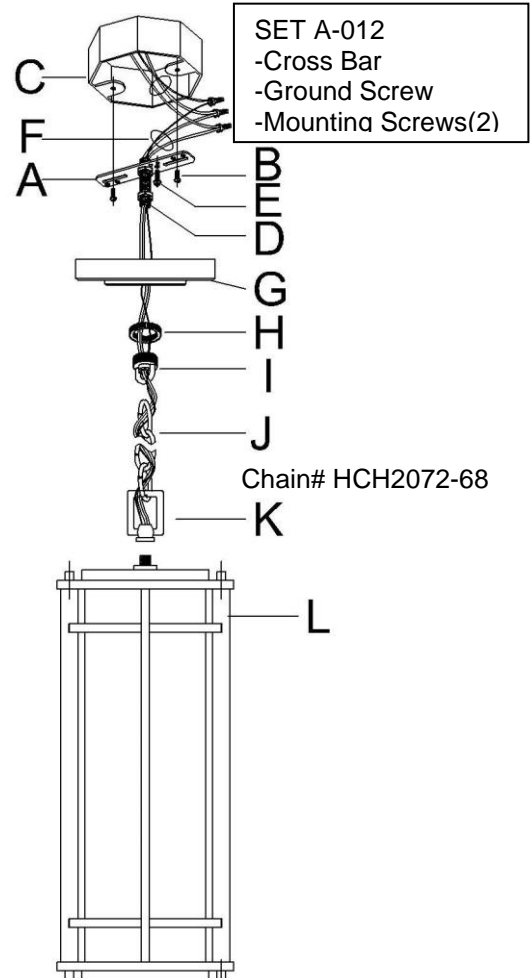
## FINISHING THE INSTALLATION (Fig. 1)

11. Raise the canopy (G) to the ceiling and secure with lock ring (H).
12. At this point, install a 60W/E26/ST58 (not included) or any Type A bulb in accordance with the fixture specification. **DO NOT EXCEED THE MAXIMUM WATTAGE RATING!(NE PAS DEPASSER LA PUISSANCE NOMINALE MAXIMALE!)**

Your installation is now complete. Return power to the junction box and test the fixture.

**Note: Illustration (Fig. 1) on this manual is for installation purposes only. It may or may not be identical to the fixture purchased.**

Fig. 1



Intertek



**“CAUTION-RISK OF FIRE CONSULT WITH A QUALIFIED ELECTRICIAN TO ENSURE CORRECT BRANCH CIRCUIT CONDUCTOR”**

**ATTENTION – RISQUE D'INCENDIE. CONSULTER UN ÉLECTRICIEN QUALIFIÉ POUR VOUS ASSURER QUE LES CONDUCTEURS DE LA DÉRIVATION SONT ADÉQUATS.**

Notice:It is important to use proper chain pliers(not included) To OPEN and CLOSE the chain included with this fixture.Do not open them with other tools that may twist or stress the chain links. It is important to use proper chain pliers like the ones shown in the diagram.