

# INSTALLATION INSTRUCTION

Item#8889 (Rev. 06/17/2011)

READ AND SAVE THESE INSTRUCTIONS

**WARNING! SHUT POWER OFF AT FUSE OR CIRCUIT BREAKER**

## MOUNTING THE FIXTURE (Fig.1)

1. Carefully unpack your new fixture and lay out all the parts on a clear area. Take care not to lose any parts necessary for installation.
2. Shut off power at the fuse box or circuit breaker. Remove the old fixture from the ceiling, including the mounting hardware.
3. Thread the nipple (C) 1/4" into the center hole of the crossbar (A). Note the length of the nipple (C) into crossbar (A) may be adjusted.
4. Attach the crossbar (A) to the outlet box using the two screws (B). The side of the crossbar marked "GND" must face out.

## CONNECTING THE WIRES (Fig. 2)

5. While holding the fixture body (D) toward the ceiling, connect the electrical wires as shown in (Fig.2), making sure that all wire connectors are secured. If your outlet has a ground wire (green or bare copper), connect the fixture ground wire to it. Otherwise, connect the fixture ground wire directly to the crossbar using the green screw provided.
6. After wires are connected, tuck them carefully into the outlet box. Place the fixture body (D) over the nipple (C) and secure with finial (E).
7. Install the B10.5 3\*40W bulbs (not included) in accordance with the fixture's specifications. **(DO NOT EXCEED THE MAXIMUM WATTAGE RATING!!)**

Your installation is now complete. Return power to the junction box and test the fixture.

**Note: Illustration (Fig. 1) on this manual is for installation purposes only. It may or may not be identical to the fixture purchased.**

Fig. 1

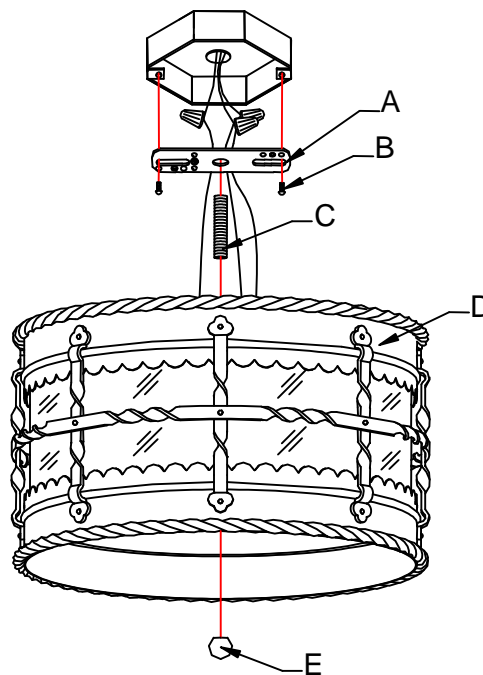


Fig. 2

