

INSTALLATION INSTRUCTIONS

Model # 72564-66

READ AND SAVE THESE INSTRUCTIONS

WARNING! SHUT POWER OFF AT FUSE OR CIRCUIT BREAKER.

AVERTISSEMENT! COUPER LE COURANT AU NIVEAU DES FUSIBLES OU DU DISJONCTEUR.

PREPARING FOR INSTALLATION (Fig. 1)

1. Shut off power at the circuit breaker and remove the old fixture including the mounting hardware.
2. Carefully unpack your new fixture and lay out all the parts in a clear area. Take care not to misplace any small parts necessary for installation.
3. Attach the cross bar (E) (part #:A-012) to the outlet box (A) with the outlet box screws (F) (size:8-32*1/2L). Install nipple (G) into crossbar (E) and secure with the hex nut(C) and the washer (D) provided. Note: the side of mounting plate marked "GND" must face out.
4. Attach the canopy loop (I) to the nipple (G). Note: The length of the nipple (G) into the cross bar (E) may be adjusted if necessary.
5. Adjust the chain (K) to the desired length by removing the links if needed and attach one end of the chain to the fixture loop (L). Pass lock collar (J) followed by canopy (H) over the chain and allow them to rest carefully on the top cover (N) and then attach the other side of the chain to canopy loop (I).
6. Carefully pass the fixture wires and bare ground wire through the chain (K), lock collar (J), canopy (H) canopy loop (I) and nipple (G).

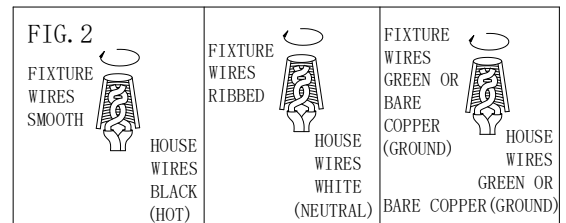
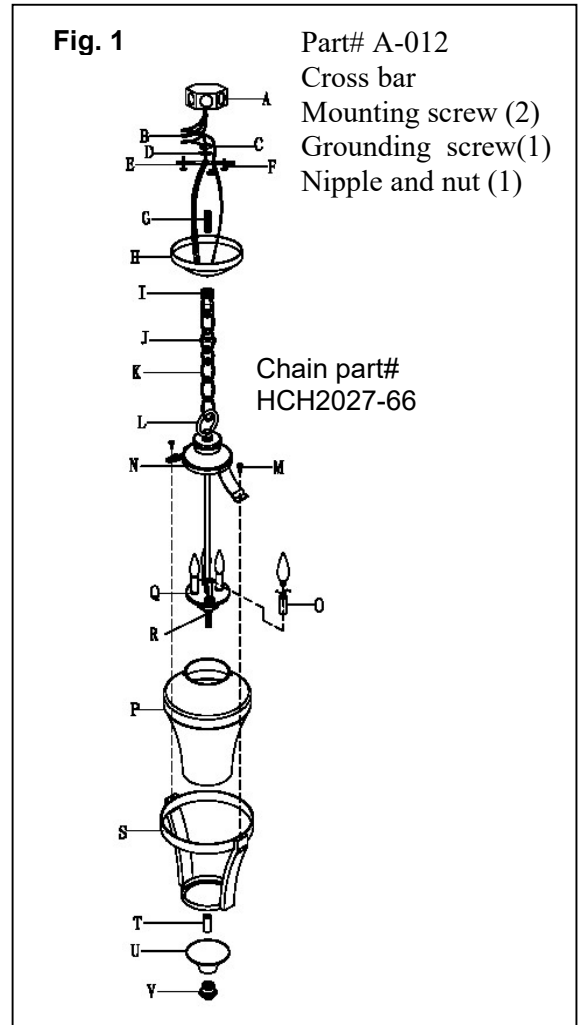
CONNECTION THE WIRES (Fig. 2)

7. Connect the electrical wires as shown in Fig.2. making sure that all wire connectors(B)are secured. If your outlet box has a ground wire (green or bare copper), connect the fixture's ground wire to it. Otherwise, connect the fixture's ground wire directly to the cross bar using the green screw provided.

FINISHING THE INSTALLATION (Fig.1)

8. Align canopy (H) to nipple (G) and secure with lock collar (J).
9. Unscrew the screw (M) and the finial (Y), separate the top cover (N), tube (T), bottom cover (U) from the fixture frame(S), put the socket tube (O) to the socket (Q).
10. **Install 60W / type B bulbs (bulbs not included) in accordance with the fixture specification. —DO NOT EXCEED THE MAXIMUM WATTAGE RATING! (NE PAS DEPASSER LA PUISSANCE NOMINALE MAXIMALE!)**
11. Place the glass (P) into the slot of the fixture frame(S), attach the fixture frame(S) to the top cover(N) with the screws(M), then align the tube(T)and bottom cover (U) to the bottom nipple (R), finally screw the finial(Y).

Your installation is now complete. Return power to the outlet box and test the fixture.



IMPORTANT: FIXTURE SHOULD BE INSTALLED BY A QUALIFIED ELECTRICIAN TO ENSURE PROPER WIRING AND INSTALLATION.



Notice:It is important to use proper chain pliers(not included) To OPEN and CLOSE the chain included with this fixture.Do not open them with other tools that may twist or stress the chain links. It is important to use proper chain pliers like the ones shown in the diagram.

