

INSTALLATION INSTRUCTIONS

Model # 72711/72712/72713-66G
READ AND SAVE THESE INSTRUCTIONS

WARNING! SHUT POWER OFF AT FUSE OR CIRCUIT BREAKER.

AVERTISSEMENT! COUPER LE COURANT AU NIVEAU DES FUSIBLES OU DU DISJONCTEUR.

PREPARING FOR INSTALLATION (Fig. 1)

1. Shut off power at the fuse box or circuit breaker box and remove the old fixture including the mounting hardware.
2. Carefully unpack your new fixture and lay out all the parts in a clear area. Take care not to misplace any small parts necessary for installation.
3. Unscrew the screws (H) and the rubber washers (G) and separate the mounting plate (C) from back plate (F)
4. Attach the mounting plate (C) to the outlet box (A) (not included) with the outlet box screws (D) (size:8-32*1/2L).
Note: The side of mounting plate marked "GND" must face out.

CONNECTION THE WIRES (Fig. 2)

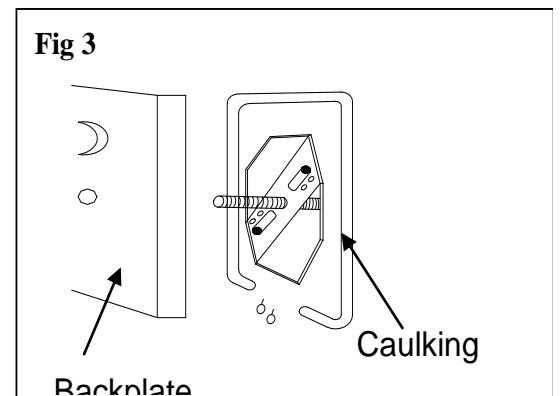
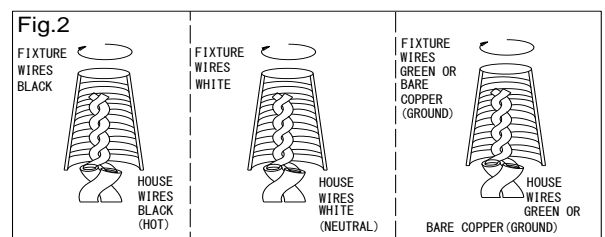
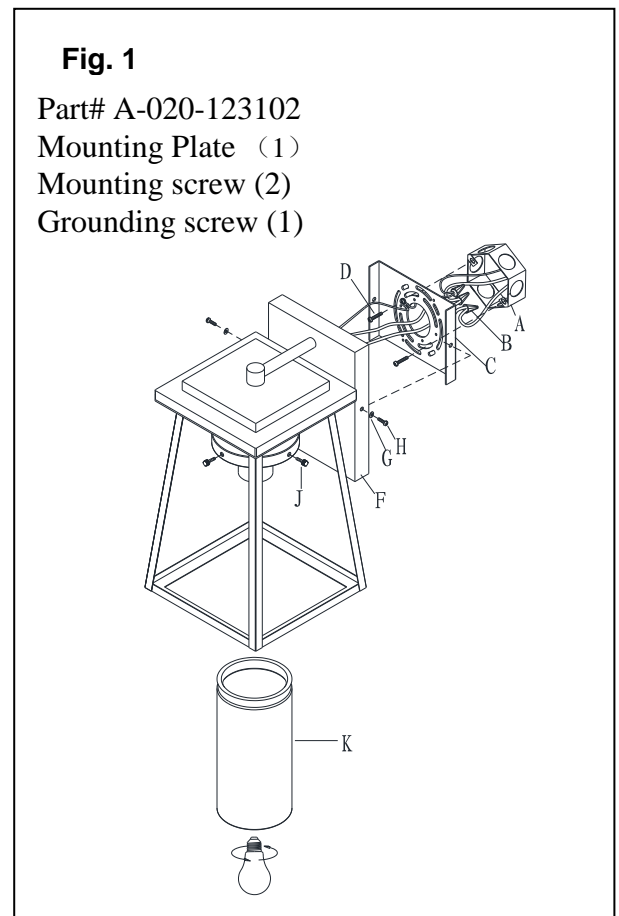
5. Connect the electrical wires as shown in Fig.2. making sure that all wire connectors (B) are secured. If your outlet box has a ground wire (green or bare copper), connect the fixture's ground wire to it. Otherwise, connect the fixture's ground wire directly to the mounting plate using the green screw provided. Tuck the wire connectors neatly into the outlet box.

FINISHING THE INSTALLATION (Fig.1)

6. Align back plate (F) onto mounting plate (C) and secure with the rubber washers (G) and screws (H).
7. **Install (1) one type A bulb up to 100 watts or CFL or LED equivalent (not included) in accordance with the fixture specification. —DO NOT EXCEED THE MAXIMUM WATTAGE RATING! (NE PAS DEPASSER LA PUISSANCE NOMINALE MAXIMALE!)**
8. Assemble the glass (K) into the socket cup and secure with ball nut screws (J). Don't over tighten or glass could break.
9. To prevent moisture from entering the outlet box (A) and causing a short, use clear silicone sealant to outline the outside of fixture back plate (F) where it meets the wall leaving a space at bottom to allow moisture a means to escape. (Fig .3)

Your installation is now complete. Return power to the outlet box and test the fixture.

IMPORTANT: FIXTURE SHOULD BE INSTALLED BY A QUALIFIED ELECTRICIAN TO ENSURE PROPER WIRING AND INSTALLATION.



american
lighting
association