

INSTALLATION INSTRUCTION

Item#8101-A138 (New. 05/10/2012)

READ AND SAVE THESE INSTRUCTIONS

WARNING! SHUT POWER OFF AT FUSE OR CIRCUIT BREAKER.

AVERTISSEMENT! COUPER LE COURANT AU NIVEAU DES FUSIBLES OU DU DISJONCTEUR.

PREPARATION (Fig. 1)

1. Shut off power at the fuse box or circuit breaker box. If necessary, remove the old fixture including the mounting hardware.
2. Carefully unpack your new fixture and lay out all the parts on a clear area. Take care not to lose any small parts necessary for installation.
3. Thread Mounting screw (C) into the pre-drilled holes in the circular strap (A) spaced the same distance apart as the holes in the back-plate and secure with Hex Nut (F).
4. Attach the circular strap (A) to the junction box with junction box screws (B). The side of the circular strap marked "GND" must face out.

CONNECTING THE WIRES (Fig. 2)

5. Connect the fixture wires to the junction box wires as shown in Fig. 2 making sure all wire connectors are secured. If the junction box has a ground wire (green or bare copper) connect the fixture's ground wire to it, otherwise connect the fixture's ground wire directly to the circular strap with the green screw provided.

COMPLETING THE INSTALLATION

6. Align back plate (D) to Mounting screw (C) and secure with cap nuts (E).
7. To prevent moisture from entering the outlet box and causing a short, use clear caulking (i.e. Indoor/Outdoor Silicone Sealant) to outline the outside of fixture back-plate where it meets the wall leaving a space at bottom to allow moisture a means to escape (Fig. 3).
8. Install 1*60W A15 bulb (not included) into socket in accordance with the fixture's specification. **(DO NOT EXCEED THE SPECIFIED WATTAGE!) (NE PAS DEPASSER LA PUISSANCE NOMINALE MAXIMALE!).**

Your installation is now complete. Return the power to the junction box and test the fixture.

Note: Illustration (Fig. 1) on this manual is for installation purposes only. It may or may not be identical to the fixture purchased.

Fig. 1

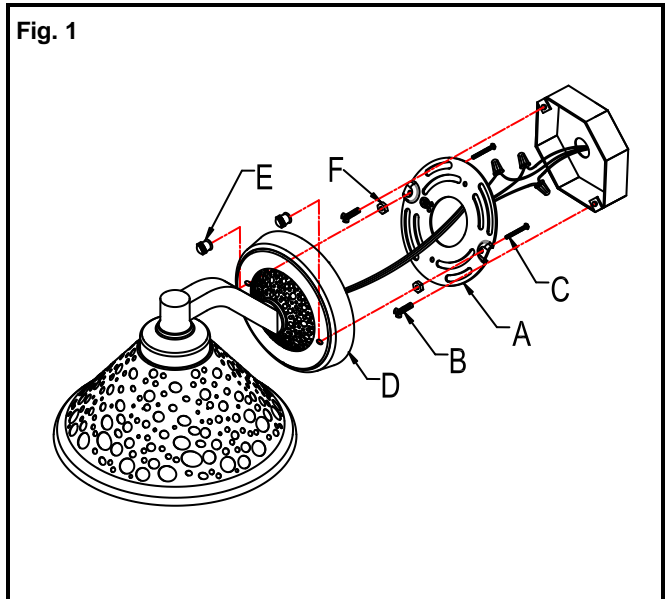


Fig. 2

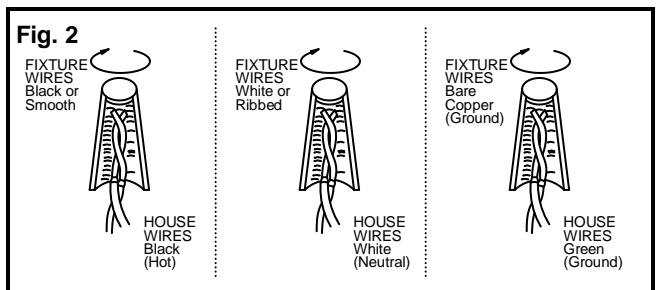
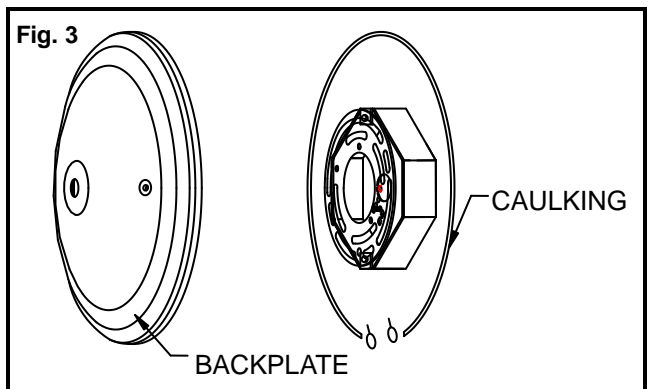


Fig. 3



american
lighting
association