

INSTALLATION INSTRUCTION

Item#8101/8102-A138-L (New. 05/02/2013)

READ AND SAVE THESE INSTRUCTIONS

WARNING! SHUT POWER OFF AT FUSE OR CIRCUIT BREAKER.

AVERTISSEMENT! COUPER LE COURANT AU NIVEAU DES FUSIBLES OU DU DISJONCTEUR.

PREPARATION (Fig. 1)

1. Shut off power at the fuse box or circuit breaker box. If necessary, remove the old fixture including the mounting hardware.
2. Carefully unpack your new fixture and lay out all the parts on a clear area. Take care not to lose any small parts necessary for installation.
3. Thread mounting screws (C) into the pre-drilled holes in the circular strap (A) spaced the same distance apart as the holes in the back plate and secure with hex nut (F).
4. Attach the circular strap (A) to the junction box with mounting screws (B) (Size: #8-32N*L0.5"). The side of the circular strap marked "GND" must face out.

CONNECTING THE WIRES (Fig. 2)

5. Connect the fixture wires to the junction box wires as shown in Fig.2 making sure all wire connectors are secured. If the junction box has a ground wire (green or bare copper) connect the fixture's ground wire to it, otherwise connect the fixture's ground wire directly to the circular strap with the green screw provided.

COMPLETING THE INSTALLATION

6. Align back plate (D) to screws (C) and secure with cap nuts (E).
7. To prevent moisture from entering the outlet box and causing a short, use clear caulking (i.e. Indoor/Outdoor Silicone Sealant) to outline the outside of fixture back-plate where it meets the wall leaving a space at bottom to allow moisture a means to escape (Fig.3).
8. Bulb (G) information: (1 X AC LED 10W included). **(DO NOT EXCEED THE SPECIFIED WATTAGE!) (NE PAS DEPASSER LA PUISSANCE NOMINALE MAXIMALE!).**

REPLACING LED MODULE (Fig.4)

The LED module can be replaced by a qualified electrician without cutting of wire and without damage to any decorative element to which the fixture is attached. See installation steps for more details (Fig.4)

- a. Shut off the power, use a screw driver to loosen the screws (Q) and remove the glass shield (P) from the aluminum cover (T).
- b. Loosen the module screws (O) and remove the LED module (L) and glass (M) from the white plastic ring (N).
- c. Loosen screws (J) to remove aluminum plate (I) and aluminum cover (T) from the bracket (S).
- d. Remove wire connectors (R) to disconnect the LED for re-lamping. (Note: The LED module should be provided by specified supplier.)
- e. For better heat dissipation the LED module (L) should be installed with the heat transfer material (K) when re-lamping.

Your installation is now complete. Return the power to the junction box and test the fixture.

Note: Illustration (Fig. 1) on this manual is for installation purposes only. It may or may not be identical to the fixture purchased.

Fig. 1

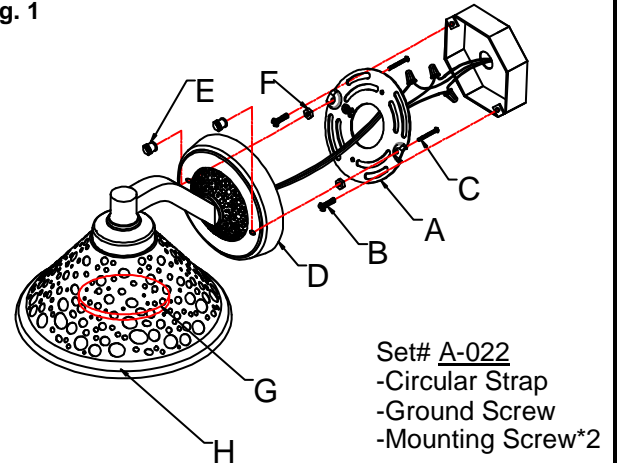


Fig. 2

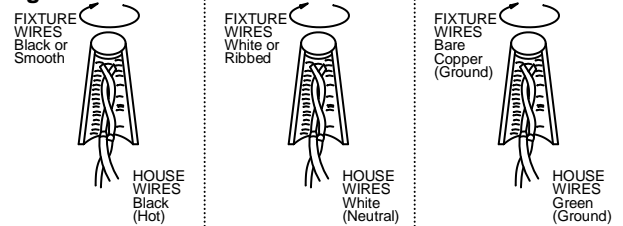


Fig. 3

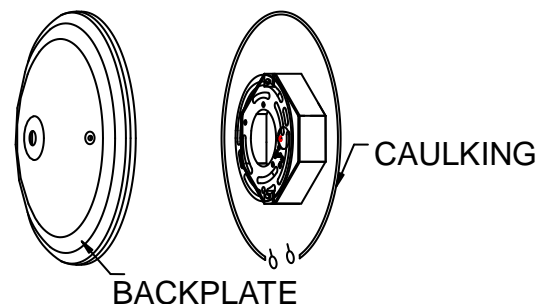
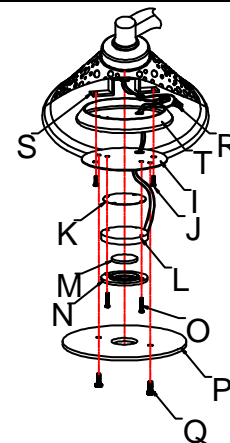


Fig. 4



LA-2271E



american
lighting
association