

INSTALLATION INSTRUCTIONS

For 8106-A138 (Rev. 05/06/2011)

READ AND SAVE THESE INSTRUCTIONS

WARNING! SHUT POWER OFF AT FUSE OR CIRCUIT BREAKER.
AVERTISSEMENT! COUPER LE COURANT AU NIVEAU DES FUSIBLES OU DU DISJONCTEUR.

1. Shut off power at the circuit breaker and remove the old fixture including the mounting hardware.
2. Carefully unpack your new fixture and lay out all the parts on a clear area. Take care not to lose any small parts necessary for installation.
3. Pull the black, white and ground wires out of Post (C).
4. Next, connect electrical wires while supporting the lantern as shown in (Fig.2). If your outlet has a ground wire (green or bare copper), connect the fixture ground wire to it. If not, consult your electrician for proper grounding. After wires are connected, tuck them carefully inside the post. Align the lantern with post and secure bottom assembly (A) with Screws (B) (Fig.1 & 2).
5. Install the 1*60W A15 (not included) in accordance with the fixture's specifications. **(DO NOT EXCEED THE MAXIMUM WATTAGE RATING!!) (NE PAS DEPASSER LA PUISSANCE NOMINALE MAXIMALE!)**

Your installation is now complete. Return power to the junction box and test the fixture.

Note: Illustration (Fig.1) on this manual is for installation purposes only. It may or may not be identical to the fixture purchased.

Fig. 1

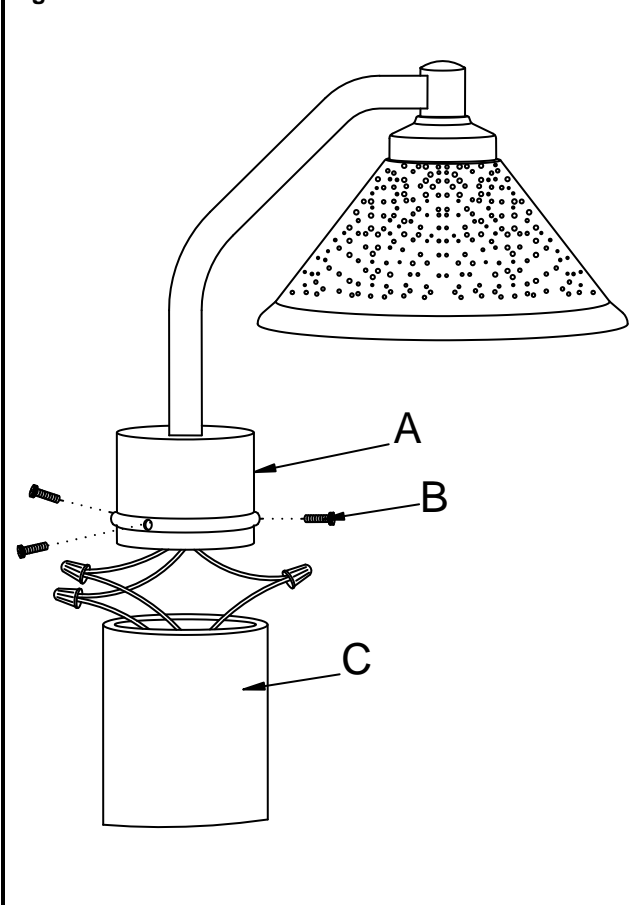


Fig. 2

