

INSTALLATION INSTRUCTIONS

For Model # 72171/72172/72173-189-L

READ AND SAVE THESE INSTRUCTIONS

WARNING! SHUT POWER OFF AT FUSE OR CIRCUIT BREAKER.

AVERTISSEMENT! COUPER LE COURANT AU NIVEAU DES FUSIBLES OU DU DISJONCTEUR.

PREPARING FOR INSTALLATION (Fig. 1)

1. Shut off power at the circuit breaker and remove the old fixture, including the mounting hardware.
2. Carefully unpack your new fixture and lay out all the parts on a clear area. Take care not to lose any parts necessary for installation.
3. Unscrew the cap nuts (L) and the rubber washers (K), and separate the mounting plate (C) (part #:A-020) from back plate (N), then attach the mounting plate(C) to the outlet box(not provided) with the two screws(E) (Size:8-32*1/2").

Note: the side of mounting plate marked "GND" must face out.

4. Adjust the two mounting screws (D) on mounting plate (C) spaced the same distance apart as the holes on back plate(N). Secure mounting screws (D) into mounting plate (C) with the hex nuts provided. Note: The length of mounting screws (D) into mounting plate (C) may be adjusted if necessary.
5. Align the curved end of scroll arm (J) through the decorative ring (R), secure the other end to the back plate (N) with screw (F) and hex nut(I), gasket (H) and rubber washers (G).

CONNECTION THE WIRES (Fig. 2)

6. Connect the electrical wires as shown in (Fig.2), making sure that all wire connectors (B) are secured. If your outlet has a ground wire (green or bare copper), connect the fixture ground wire to it. Otherwise, connect the fixture ground wire directly to the mounting plate using the green screw provided.

FINISHING THE INSTALLATION (Fig.1)

7. Align back plate (N) onto mounting plate (C) and secure with the rubber washers (K) and cap nuts (L).
8. Separate lamp body (P) from top cover (M) by unscrewing the mounting screws (Q). Align the glass (Q) into body (P) and secure with glass clips (S).
9. Re-attach body (P) to the top cover (M) with mounting screws (Q).
10. To prevent moisture from entering the outlet box and causing a short, use clear caulking (i.e. Indoor/Outdoor Silicone Sealant) to outline the outside of fixture back-plate where it meets the wall leaving a space at bottom to allow moisture a means to escape (Fig 3).
11. Bulb information: (1 x AC LED 13W included.)

DO NOT EXCEED THE MAXIMUM WATTAGE RATING! (NE PAS DEPASSER LA PUISSANCE NOMINALE MAXIMALE!)

Replacing LED module (Fig. 4)

The LED module can be replaced by a qualified electrician and shut off the power at the circuit breaker and remove fixture from the outlet box without cutting of wire and without damage to any decorative element to which the fixture is attached. See installation steps for more details (Fig 4.)

- a. Remove the aluminum sheet (X) by loosening screws (Y). Carefully disconnect the wire covers.
- b. Remove the module cover (R), loosen the screw (Z) to disassemble the module (W), washer (V), aluminum sheet (X), gasket (U), nut (T).
- c. Carefully remove the LED module (W) for re-lamping. Note: The LED module should be provided by a specified supplier.
- d. For better heat dissipation the LED module (M) should be installed with the heat transfer silicone when re-lamping

Your installation is now complete. Return power to the junction box and test the fixture.

Fig.1

Part# A-020

Mounting plate (1)

Ground screw (1)

Mounting screws (2)

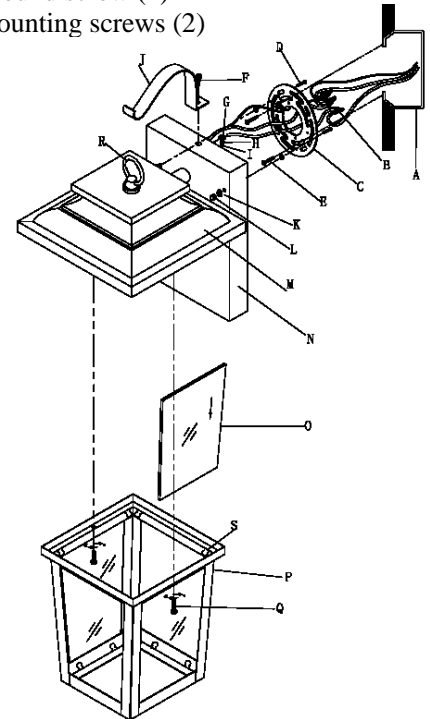


Fig. 2

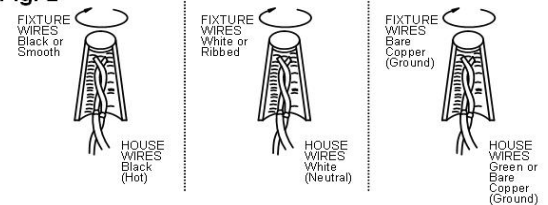


Fig.3

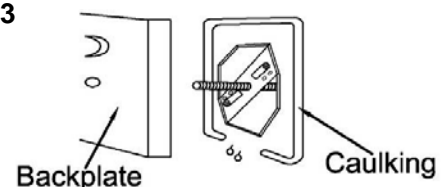
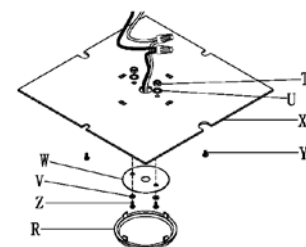


Fig 4



IMPORTANT: FIXTURE SHOULD BE INSTALLED BY A QUALIFIED ELECTRICIAN TO ENSURE PROPER WIRING AND INSTALLATION.

