

INSTALLATION INSTRUCTIONS

For Model 71226-143

WARNING! SHUT POWER OFF AT FUSE OR CIRCUIT BREAKER.

AVERTISSEMENT! COUPER LE COURANT AU NIVEAU DES FUSIBLES OU DU DISJONCTEUR.

HANGING THE FIXTURE (Fig. 1)

1. Shut off the power at the circuit breaker and remove the old fixture including the mounting hardware.
2. Carefully unpack your new fixture and lay out all the parts on a clear area. **Be careful** not to lose any small parts necessary for installation.

CONNECTING THE WIRES (Fig.2)

3. While supporting the fixture, connect the electrical wires as shown in figure 2. If your post has a ground wire (green or bare copper), connect the fixture ground wire to it. If not, consult your electrician for proper grounding. After the wires are connected, tuck them carefully inside the post (A).

COMPLETING THE INSTALLATION (Fig. 1)

4. Take off the fixture cage (F) and glass (E) by loosening four screws (C), install the bulb (E12 Candelabra, not supplied) in accordance with the fixture's specification. Attach the glass (E) and cage (F) back to the bottom plate (D) by four screws (c).

DO NOT EXCEED THE MAXIMUM WATTAGE RATING! (NE PAS DEPASSER LA PUISSANCE NOMINALE MAXIMALE!)

5. Place the fixture onto post (A), and secure with the 3 mounting screws (B)

Your installation is now complete. Return power to the junction box and test the fixture

Fig. 1

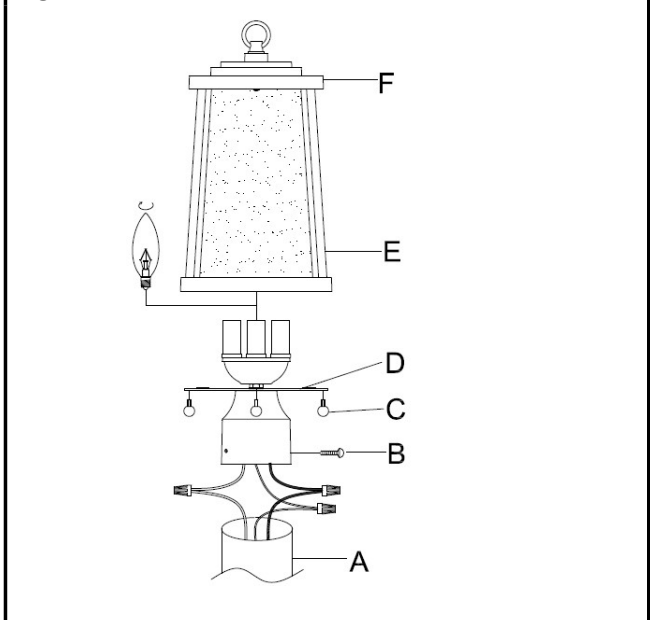


Fig. 2

