

INSTALLATION INSTRUCTIONS

For Model 72781-66G

READ AND SAVE THESE INSTRUCTIONS

WARNING! SHUT POWER OFF AT FUSE OR CIRCUIT BREAKER.

AVERTISSEMENT! COUPER LE COURANT AU NIVEAU DES FUSIBLES OU DU DISJONCTEUR.

HANGING THE FIXTURE (Fig. 1)

1. Shut of power at the fuse box or circuit breaker box and remove the old fixture including the mounting hardware.
2. Carefully unpack your new fixture and lay out all the parts in a clean area. Take care not to misplace any small parts necessary for installation.
3. Thread two mounting screws (B) into the mounting plate (C) spaced the same distance apart as the holes in the fixture back plate. (You can adjust the length of the screws if necessary.)
4. Attach the mounting plate (C) to the outlet box (A) (not supplied) with outlet box screws (D). (Size: #8-32*0.78"L). The side of the mounting plate marked "GND" must face out.

CONNECTING THE WIRES (Fig. 2).

5. Connect the electrical wires as shown in Fig.2. Making sure that all wire connectors are secured. If your outlet box (A) has a ground wire (green or bare copper), connect the fixture's ground wire to it. Otherwise, connect the fixture's ground wire directly to the mounting plate (C) using the green screw provided.

COMPLETING THE INSTALLATION (Fig.1)

6. Separate the cage (H) by loosening two screws (G). Install (1) one medium base bulb (E) up to 100 watts or CFL or LED equivalent (not included) in accordance with the fixture specification. **(DO NOT EXCEED THE SPECIFIED WATTAGE!) (NE PAS DEPASSER LA PUISSANCE NOMINALE MAXIMALE!).**
7. Secure the cage (H) back to the fixture (E) with screws (G). Align the fixture back plate to mounting plate (C) and secure with cap nuts (F).
8. To prevent moisture from entering the outlet box (A) and causing a short, use clear caulking (i.e. Indoor/Outdoor Silicone Sealant) to outline the outside of fixture back plate where it meets the wall leaving a space at bottom to allow moisture a means to escape. (Fig. 3)

Your installation is now complete. Return power to the junction box and test the fixture.

Fig.1

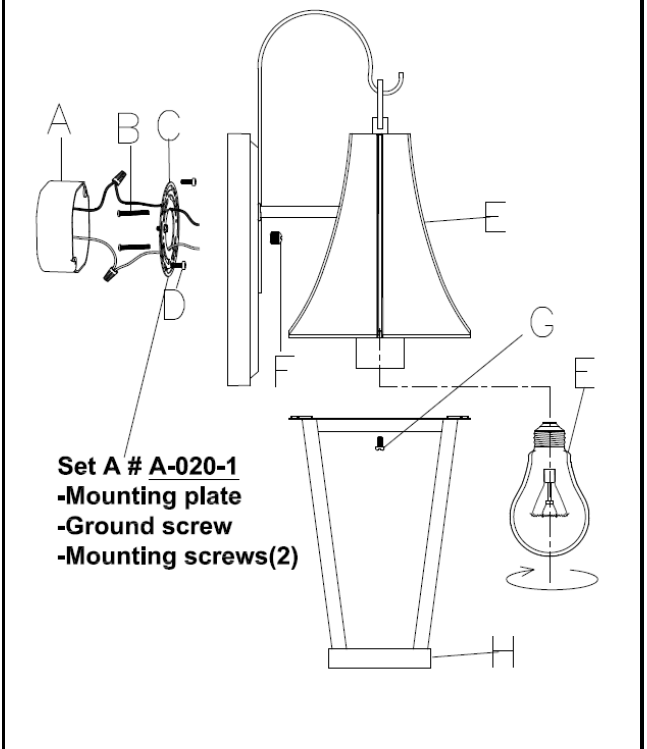


Fig. 2

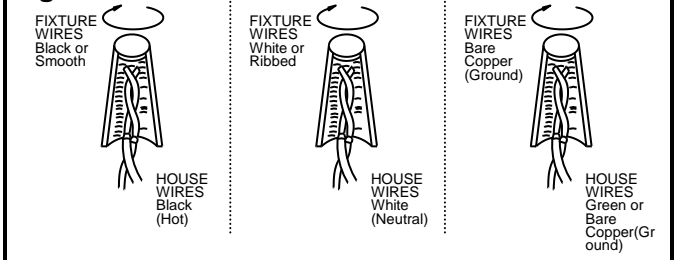


Fig. 3

