

INSTALLATION INSTRUCTIONS

For Model 72786-66G

WARNING! SHUT POWER OFF AT FUSE OR CIRCUIT BREAKER.

AVERTISSEMENT! COUPER LE COURANT AU NIVEAU DES FUSIBLES OU DU DISJONCTEUR.

HANGING THE FIXTURE (Fig. 1)

1. Shut of power at the fuse box or circuit breaker box and remove the old fixture including the mounting hardware.
2. Carefully unpack your new fixture and lay out all the parts in a clean area. Take care not to misplace any small parts necessary for installation.
3. Separate the roof (E) by loosening two screws (D). Install (4) four candelabra base bulbs (C) up to 60 watts or CFL or LED equivalent (not included) in accordance with the fixture specification. **(DO NOT EXCEED THE SPECIFIED WATTAGE!) (NE PAS DEPASSER LA PUISSANCE NOMINALE MAXIMALE!).**
4. Re-attached roof (E) and secure with two screws (D).

CONNECTINE THE WIRES (Fig.2)

5. While supporting the fixture, connect the electrical wires as shown in figure 2. If your post has a ground wire (green or bare copper), connect the fixture ground wire to it. If not, consult your electrician for proper grounding. After the wires are connected, tuck them carefully inside the post cup (A) (not included).

COMPLETING THE INSTALLATION (Fig. 1)

6. Place the fixture onto post cup (A) and secure with the three mounting screws (B)

Your installation is now complete. Return power to the junction box and test the fixture

Fig. 1

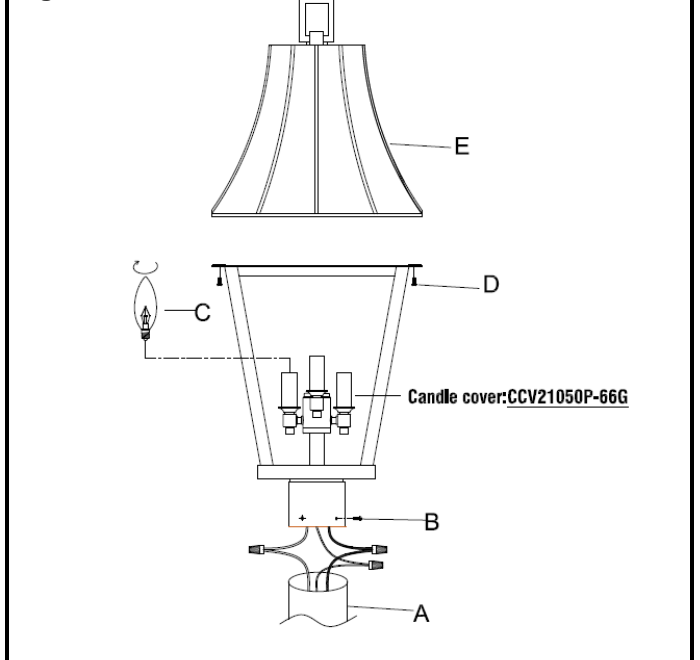


Fig. 2

