

INSTALLATION INSTRUCTIONS

For Model 72784-66G

WARNING! SHUT POWER OFF AT FUSE OR CIRCUIT BREAKER.

AVERTISSEMENT! COUPER LE COURANT AU NIVEAU DES FUSIBLES OU DU DISJONCTEUR.

HANGING THE FIXTURE (Fig. 1)

1. Shut of power at the fuse box or circuit breaker box and remove the old fixture including the mounting hardware.
2. Carefully unpack your new fixture and lay out all the parts in a clean area. Take care not to misplace any small parts necessary for installation.
3. Separate cage (O) by loosening two screws (N), Install (4) four candelabra base bulbs (P) up to 60 watts or CFL or LED equivalent (not included) in accordance with the fixture specification. **(DO NOT EXCEED THE SPECIFIED WATTAGE!) (NE PAS DEPASSER LA PUISSANCE NOMINALE MAXIMALE!).**
4. Attach cage (O) back to the roof (M) and secure with two screws (N).
5. Place lock washer (E) over all thread (G), attached to crossbar (C), and thread hex nut (F) onto all thread (G) until tight. Take this crossbar assembly and mount to the outlet box (A), not provided, with outlet box screws (D). Tighten screws securely with screwdriver. The side of the cross bar marked "GND" must face out.
6. Use a pair of chain pliers to open one link of the chain and connect to the fixture loop (L), then close the link. By measuring, determine correct number of links needed for proper hanging height. Using chain pliers disconnect and discard remaining chain.
7. Lace the fixture wires through the chain. Slip lock collar (K) over the chain followed by the canopy (I). Open the other last link of chain and attach to the loop (J) at the ceiling, then close the link. Feed the fixture wires through the loop (J) and the all thread (G) and pull until taut.

CONNECTING THE WIRES (Fig. 2)

8. Connect the electrical wires as shown in Fig.2. Making sure that all wire connectors are secured. If your outlet box (A) has a ground wire (green or bare copper), connect the fixture's ground wire to it. Otherwise, connect the fixture's ground wire directly to the mounting plate (C) using the green screw provided.
9. Finally screw the lock collar (K) to the loop (J) and secure the canopy (I) to the ceiling.

Your installation is now complete. Return power to the junction box and test the fixture

Fig. 1

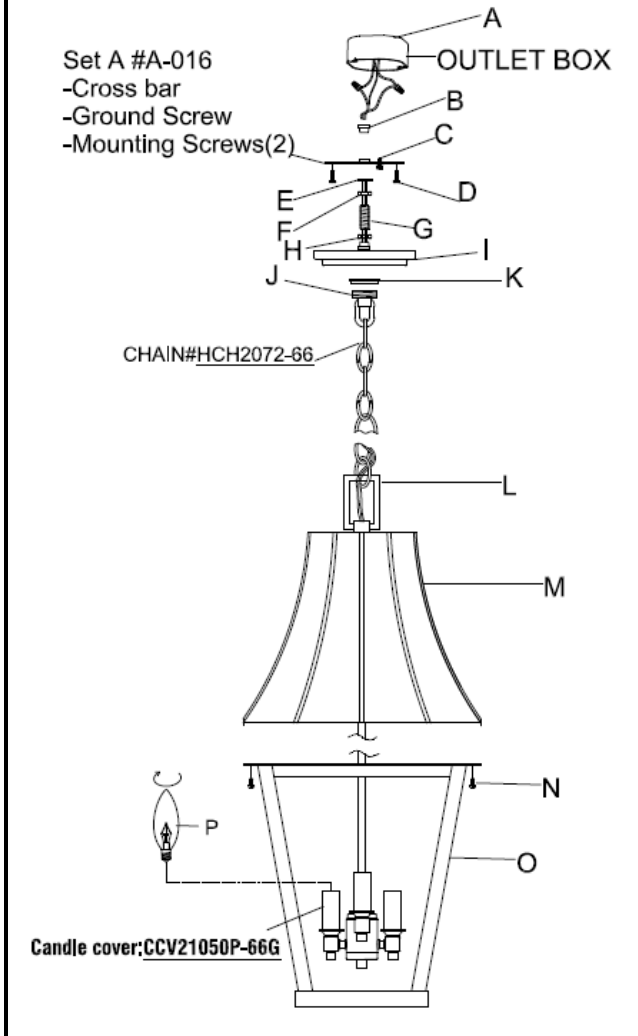
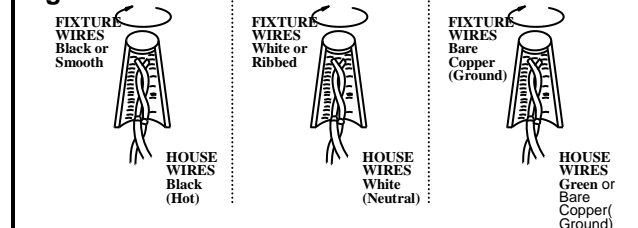


Fig. 2



Notice: It is important to use proper chain pliers (not included) To OPEN and CLOSE the chain included with this fixture. Do not open them with other tools that may twist or stress the chain links. It is important to use proper chain pliers like the ones shown in the diagram.

