

INSTALLATION INSTRUCTION FOR 9830

For Wall Sconce Fixtures

WARNING! SHUT POWER OFF AT FUSE OR CIRCUIT BREAKER .

HANGING THE FIXTURE

1. Shut off power at the fuse box or circuit breaker box. Remove old fixture from wall.
 2. Carefully unpack your new fixture and lay out all the parts on a clear area. Take care not to lose any small parts necessary for installation.
 3. Attach the crossbar to the junction box use the two junction box screws. The side of the Crossbar marked "GND" must face out. (Fig.1) Thread the Nipple part way into the center hole of the crossbar. (Fig.1)
 4. At this point, connect the electrical wires as shown in (Figure 2), making sure all wire nuts are secured. You may have to wrap connections with electrical tape. If your junction box has a ground wire (green or bare copper), connect fixtures ground wire to it. If not, connect the fixture ground wire to the crossbar with the green screw provided. After wires are connected, tuck them carefully inside the junction box as you hold the backplate toward the wall.
 5. To prevent moisture from entering the outlet box and causing a short, use clear caulking (i.e. Indoor/Outdoor silicone sealant) to outline the outside of fixture backplate where it meets the wall leaving a space at bottom to allow moisture a means to escape (Fig.3)
 6. Finish mounting of backplate by placing it over the nipple and secure with knurled cap nut. (Fig.1)
 7. Install the proper light bulb in accordance with Lamp's specifications.
- DO NOT EXCEED SPECIFIED WATTAGE RATING**
8. Put glass over the back plate and secure it with knurled knob screw.

Your installation is now complete. Return power to the junction box and test the fixture.

Fig. 1

Typical Installation
(Side Mounted Shade)

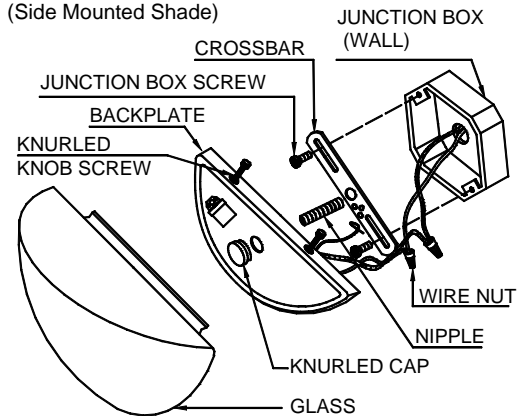


Fig. 2

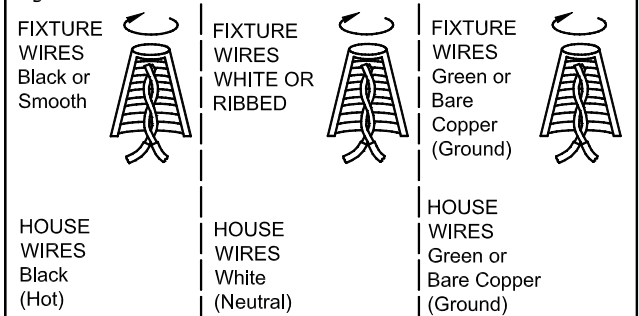
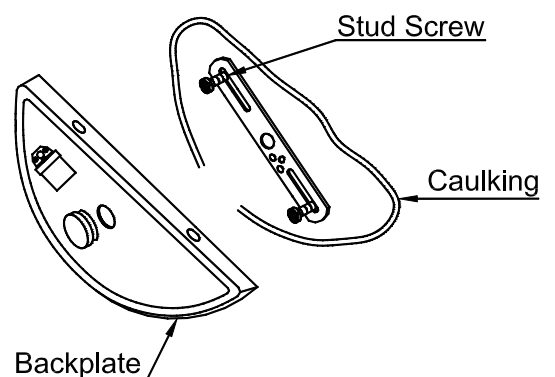


Fig. 3



MIN 75°C SUPPLY CONDUCTORS