

INSTALLATION INSTRUCTIONS

Item#72253

READ AND SAVE THESE INSTRUCTIONS

WARNING! SHUT POWER OFF AT FUSE OR CIRCUIT BREAKER.
AVERTISSEMENT! COUPER LE COURANT AU NIVEAU DES FUSIBLES OU DU DISJONCTEUR.

ASSEMBLING THE FIXTURE (Fig.2)

1. Shut off the power at the fuse box or circuit breaker. If necessary, remove the existing fixture and its mounting hardware from the wall.
2. Remove the new fixture from the carton and check that all parts are included as shown in the illustration.
3. Remove screw (L), glass holder (K), and glass shade (J).
4. Use suction cup (I) to install 1-35W GU10 Halogen or LED equivalent bulb (H) (bulb excluded) in accordance with the fixture specification. **(DO NOT EXCEED THE MAXIMUM WATTAGE RATING!). (NE PAS DEPASSER LA PUISSANCE NOMINALE MAXIMALE!)**
5. Insert the glass (J) from the bottom, and secure with glass holder (K) and screw (L).

MOUNTING THE FIXTURE (Fig.1)

6. Thread the mounting screws (A) into the pre-drilled holes in the circular strap (C) spaced the same distance apart as the holes in the back plate of the fixture body and secure with hex nut (B).
7. Attach the circular strap (C) to the outlet box using the outlet box screws (D) (size: #8-32N*L0.5"). The side of circular strap (C) marked "GND" must face out.

CONNECTING THE WIRES (Fig. 3)

8. Connect the fixture wires as shown in Fig.3, making sure that all wire connectors are secured. If your outlet box has a ground wire (green or bare copper), connect the fixture's ground wire to it. Otherwise, connect the fixture's ground wire directly to the circular strap (C) using the green screw provided. After the wires are connected, tuck them carefully inside the outlet box.

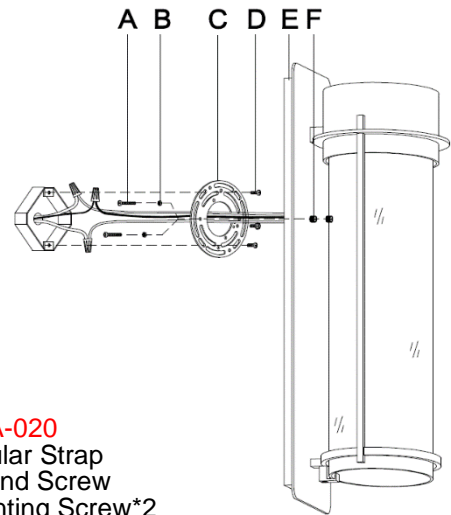
FINISHING THE INSTALLATION (Fig. 4)

9. To prevent moisture from entering the outlet box and causing a short, use clear silicone sealant to outline the outside of fixture back plate (E) where it meets the wall leaving a space at bottom to allow moisture a means to escape.
10. Align the fixture body (E) onto screws (A) and secure it with cap nuts (F). **(Fig. 1)**

Your installation is now complete. Return power and test the fixture.

IMPORTANT: FIXTURE SHOULD BE INSTALLED BY A QUALIFIED ELECTRICIAN TO ENSURE PROPER WIRING AND INSTALLATION.

Fig. 1



Set# A-020
- Circular Strap
- Ground Screw
- Mounting Screw*2

Fig. 2

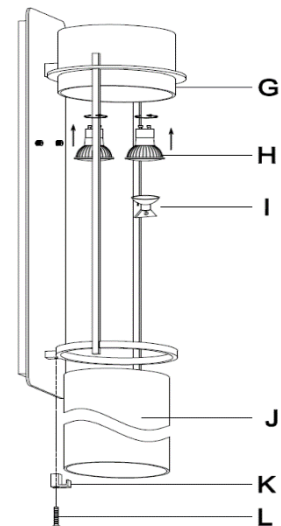
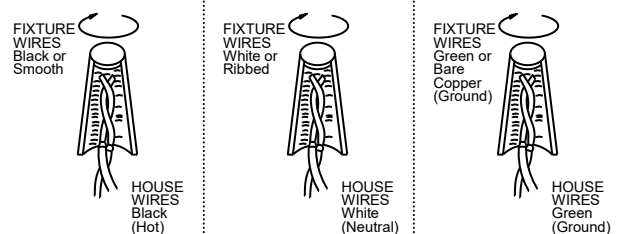


Fig. 3



american
lighting
association



Fig. 4

