

INSTALLATION INSTRUCTIONS

For item#72653-172 (New. 04/26/2018)

READ AND SAVE THESE INSTRUCTIONS

WARNING! SHUT POWER OFF AT FUSE OR CIRCUIT BREAKER.

AVERTISSEMENT! COUPER LE COURANT AU NIVEAU DES FUSIBLES OU DU DISJONCTEUR.

MOUNTING THE FIXTURE (Fig.1)

1. Shut off the power at the circuit breaker and remove old fixture, including the mounting hardware.
2. Carefully remove the fixture from the carton and check that all parts are included as shown in the illustration.
3. Attach mounting plate (A) using the mounting screws (B) (Size: #8-32N*L0.5") to the junction box. The side of the mounting plate marked "GND" must face out.

CONNECTING THE WIRES (Fig. 2)

4. At this point, connect the electrical wires as shown in Fig. 2, making sure that all wire connectors are secured. If your outlet box has a ground wire (green or bare copper), connect the fixture's ground wire to it. Otherwise, connect the fixture's ground wire directly to the mounting plate using the green screw provided. After wires are connected, tuck them carefully inside the junction box.

FINISHING THE INSTALLATION (Fig.1)

5. Place the fixture body (D) over the mounting plate (A), fastens with screws (C).
6. To prevent moisture from entering the outlet box and causing a shortage, use clear caulking (i.e. Indoor/Outdoor silicone sealant) to outline the outside of fixture back plate where it meets the wall leaving a space at the bottom to allow moisture a means to escape (Fig.3).
7. Install light bulb(s) (F) (Not included) in accordance with the fixture's specification. **Recommend to use a T10 vintage bulb with properly length for light output evenly, Recommend to use a 300mm length for 72653-172. (DO NOT EXCEED THE MAXIMUM WATTAGE RATING!) (NE PAS DEPASSER LA PUISSANCE NOMINALE MAXIMALE!).**
8. Put the glass shade (G) over the socket (E) and turn to secure it to the fixture.

Your installation is now complete. Return power to the outlet box and test the fixture.

Note: Illustration (Fig. 1) on this manual is for installation purposes only. It may or may not be identical to the fixture purchased.

Fig.1

Set# A-021-117211

- Circular Strap
- Ground Screw
- Mounting Screw*2

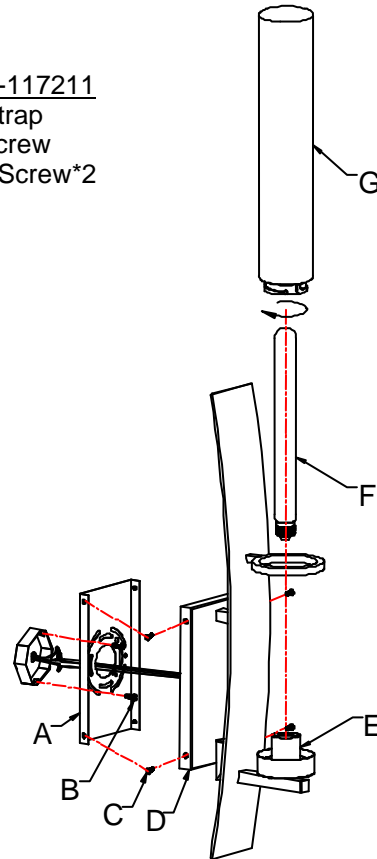


Fig.2

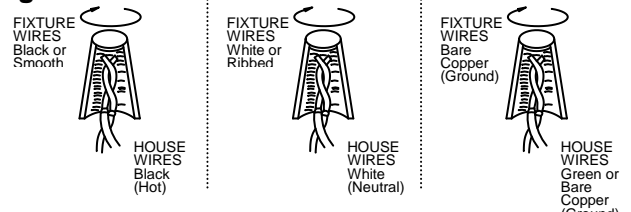
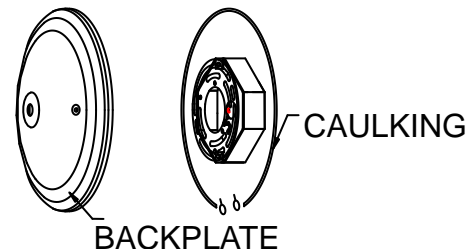


Fig. 3



LA-2920E



american
lighting
association