

INSTALLATION INSTRUCTIONS

For Outdoor Lantern (New.07/16/2012)

READ AND SAVE THESE INSTRUCTIONS

WARNING! SHUT POWER OFF AT FUSE OR CIRCUIT BREAKER.

AVERTISSEMENT! COUPER LE COURANT AU NIVEAU DES FUSIBLES OU DU DISJONCTEUR.

HANGING THE FIXTURE (Fig.1)

1. Shut off the power at the circuit breaker and remove the old fixture from the ceiling, including the old crossbar.
2. Carefully unpack your new fixture and lay out all the parts on a clear area. Take care not to lose any small parts necessary for the installation.
3. Pull black and white wire out of electrical outlet box.
4. Mount circular strap to outlet box. The side of the crossbar (A) marked "GND" must face out. (Fig.1)

CONNECTING THE WIRES (Fig. 2,3)

5. Connect electrical wires as shown making sure all wire connectors are secured. If your outlet has a ground wire (green or bare copper), connect the fixture's Ground Wire to it. If not, connect the fixture's Ground Wire directly to the Crossbar using the Green Screw provided. After wires are connected, tuck them carefully inside junction box. (Fig.2)
6. To prevent moisture from entering the outlet box and causing a short, use clear caulking (i.e. Indoor/Outdoor Silicone Sealant) to outline the outside of fixture backplate where it meets the wall leaving a space at bottom to allow moisture a means to escape. (Fig.3)

COMPLETING THE INSTALLATION (Fig. 1)

7. Align fixture to stud screws on circular strap and attach fixture with Knurled knobs. (Fig.1)
8. Install the bulb (not included) in accordance with the fixture's specification. **(DO NOT EXCEED THE MAXIMUM WATTAGE RATING!) (NE PAS DEPASSER LA PUISSANCE NOMINALE MAXIMALE!)**
9. For installing or replacing bulb at a later date, install or replace it to the socket from the bottom of the fixture. (Fig. 1)

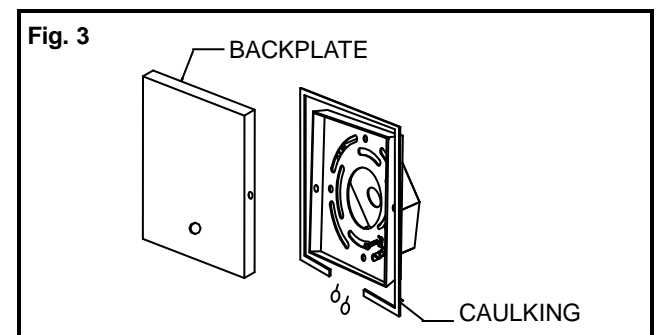
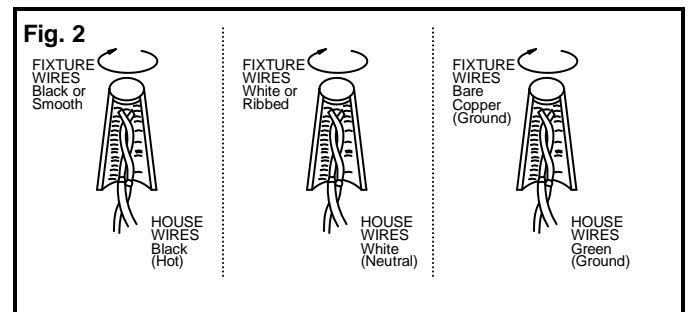
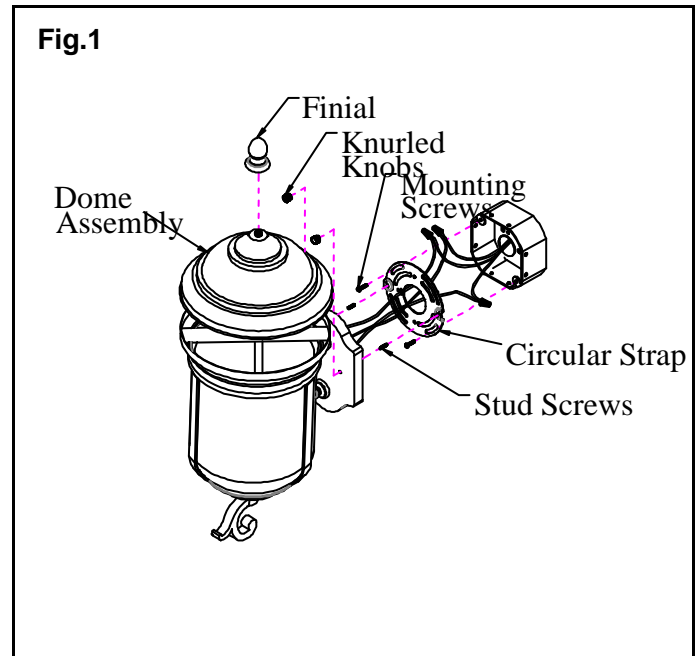
Your installation is now complete. Return power to the junction box and test the fixture.

Note: Illustration (Fig. 1) on this manual is for installation purposes only. It may or may not be identical to the fixture purchased.

U.S. Patent:436,208

This product is protected by United States Federal and/or State Law, including Patent and/or Copyright laws.

© 1998 Minka Lighting, Inc.



LA-286E-A



american
lighting
association