

Vetra Ceiling

700FMVTR

1.0



GENERAL PRODUCT INFORMATION:

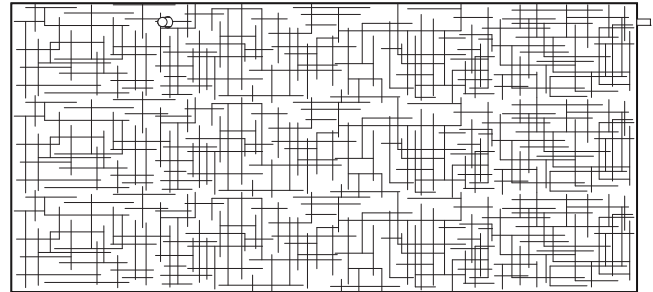


These fixtures are intended to be installed utilizing NEC compliant junction boxes.

This product is suitable for damp locations.

Incandescent version may be dimmed with a standard incandescent dimmer. LED version may be dimmed with a LED dimmer. Consult lamp manufacturer for additional information.

This instruction shows a typical installation.

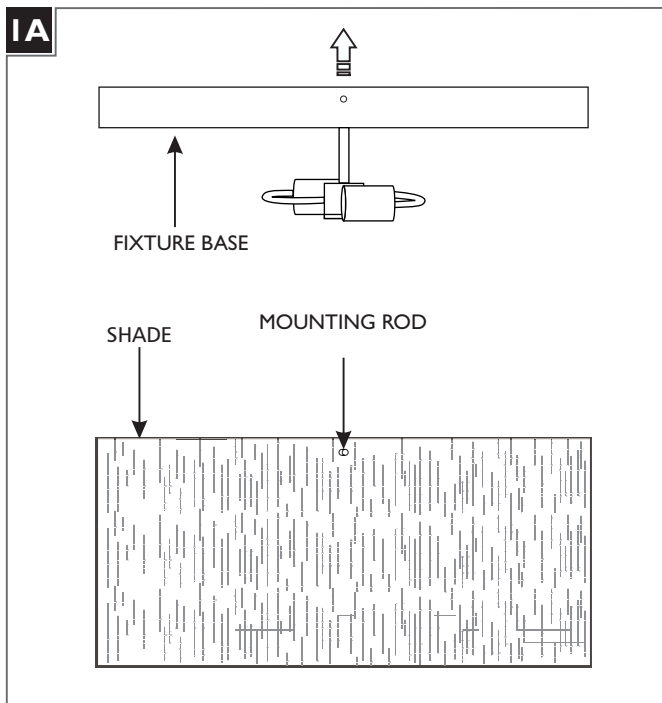


CAUTION - RISK OF FIRE

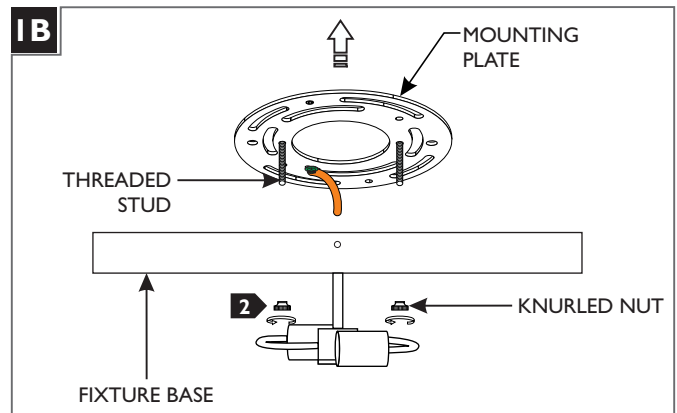
This product must be installed in accordance with the applicable installation code by a person familiar with the construction and operation of the product and the hazards involved.

Use minimum 90°C supply conductors.

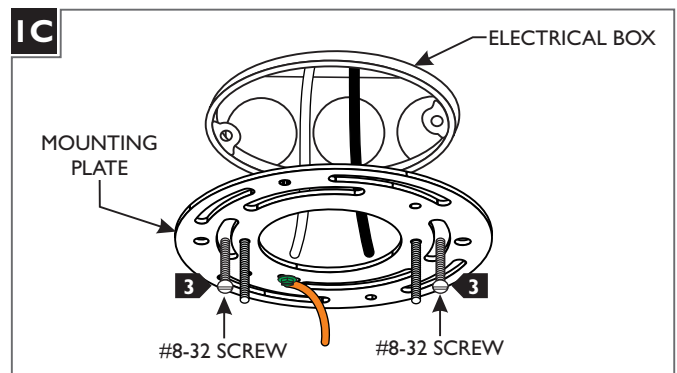
Install the Mounting Plate



1 Remove the three mounting rods by hand and separate the shade from the fixture.

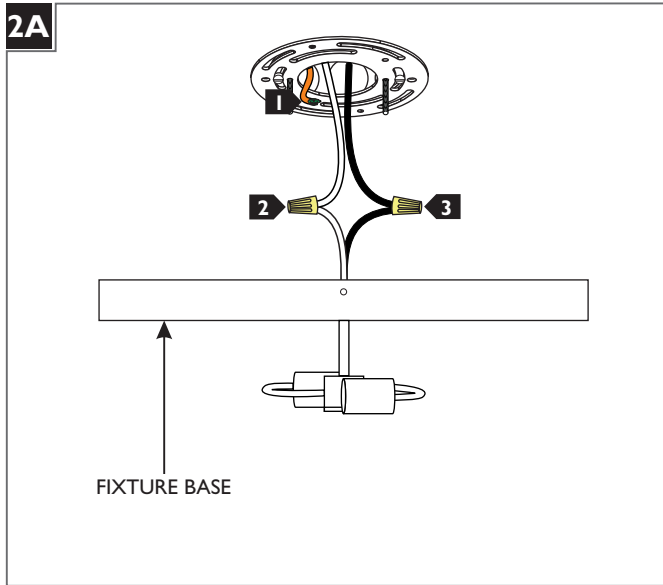


2 Remove the mounting plate from the fixture by unscrewing the two knurled nuts from the two threaded studs.

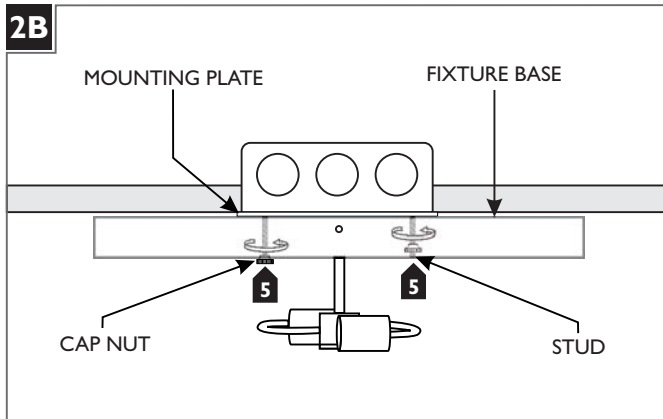


3 Mount the mounting plate to the electrical box with the two #8-32 screws.

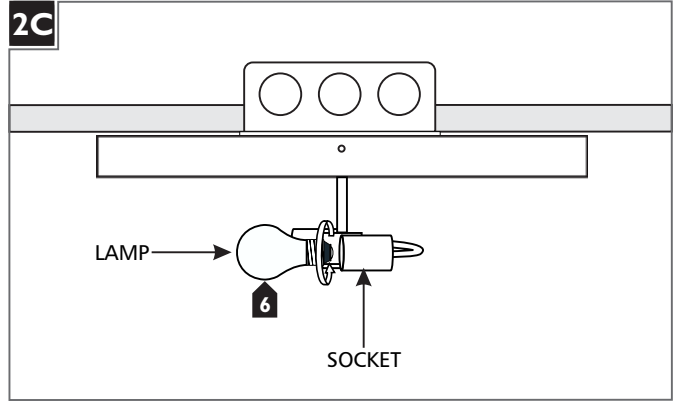
Install the Fixture



- 1** Connect the mounting plate ground wire to a suitable ground in accordance with local electrical codes.
- 2** Connect the white fixture wire to the neutral power line wire with a wire nut.
- 3** Connect the black fixture wire to the hot power line wire with a wire nut.



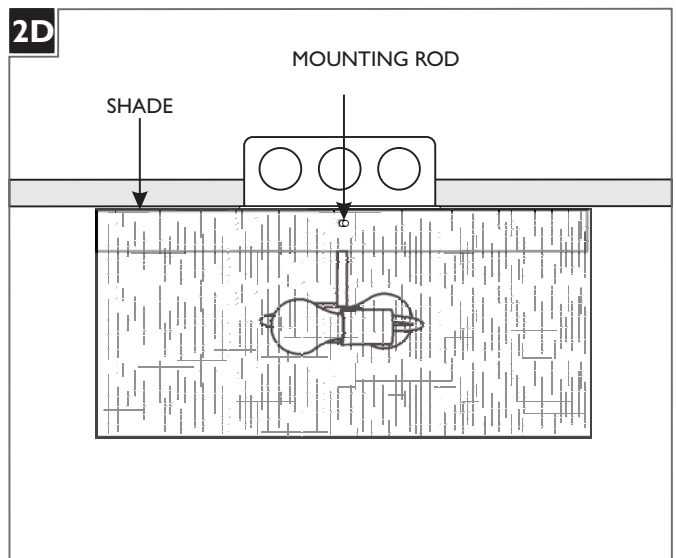
- 4** Properly place all wires and wire nut connections into the fixture.
- 5** Mount the fixture onto the threaded studs on the mounting plate and secure it by tightening the two cap nuts.



CAUTION: To reduce the risk of a burn or electric shock during re-lamping, disconnect the power to the fixture.

Refer to fixture marking for lamp information.

- 6** Screw the lamps into the sockets.



- 7** Align the shade with the fixture base and re-install the three mounting rods by hand.

SAVE THESE INSTRUCTIONS!



TECH LIGHTING®

7400 Linder Ave, Skokie, IL 60077

847.410.4400

www.techlighting.com

© 2018 Tech Lighting, L.L.C. All rights reserved. The "Tech Lighting" graphic is a registered trademark of Tech Lighting, L.L.C. Tech Lighting reserves the right to change specifications for product improvements without notification.

A Generation Brands Company