

Span

700BCSPAN | 1.5



BATH



GENERAL PRODUCT INFORMATION:

This fixture are intended to be installed utilizing NEC compliant junction boxes.

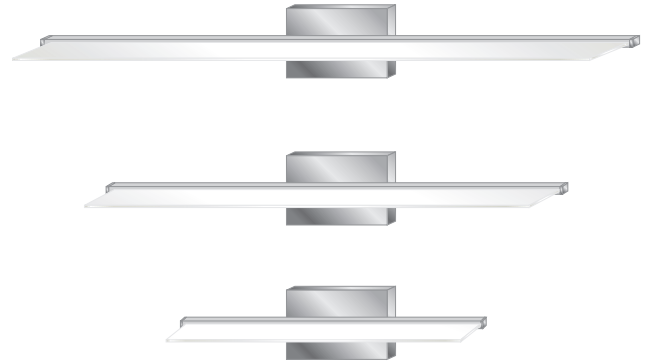
Suitable for damp locations.

This product may be dimmed with a low-voltage electronic dimmer, TRIAC dimmer, or a 0-10V dimmer depending on the wiring configuration.

This product may be mounted horizontally or vertically.

The driver for Span 24 must be installed into the electrical box.

SAVE THESE INSTRUCTIONS!

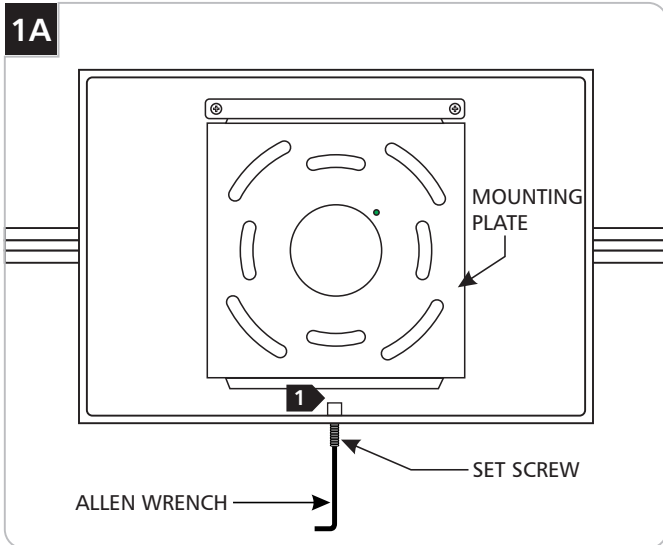


CAUTION - RISK OF FIRE
This product must be installed in accordance with the applicable installation code by a person familiar with the construction and operation of the product and the hazards involved.
Use minimum 90°C supply conductors.

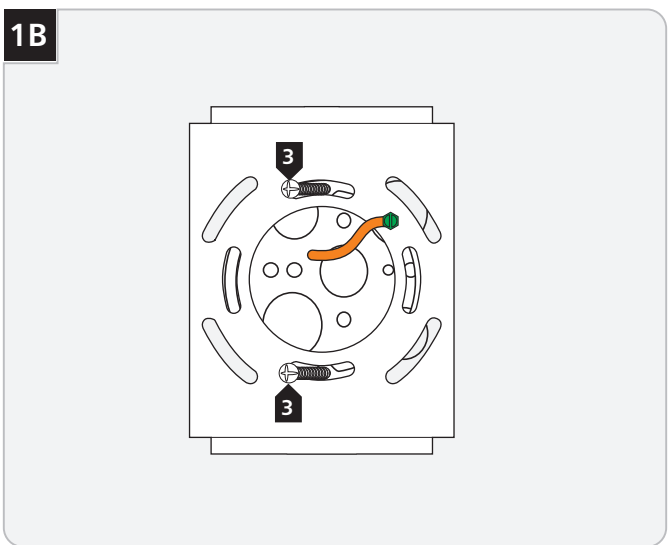
FOR DIRECT VERSIONS
WARNING: DO NOT REMOVE THE WHITE ADHESIVE FILM from the TOP AND SIDES of this fixture. Only **REMOVE THE TRANSPARENT PROTECTIVE FILM** which is located on the BOTTOM of the fixture.

FOR DIRECT/INDIRECT VERSIONS
WARNING: DO NOT REMOVE THE WHITE ADHESIVE FILM from the SIDES of this fixture. Only **REMOVE THE TRANSPARENT PROTECTIVE FILM** which is located on the TOP AND BOTTOM of the fixture.

Install the Back Plate

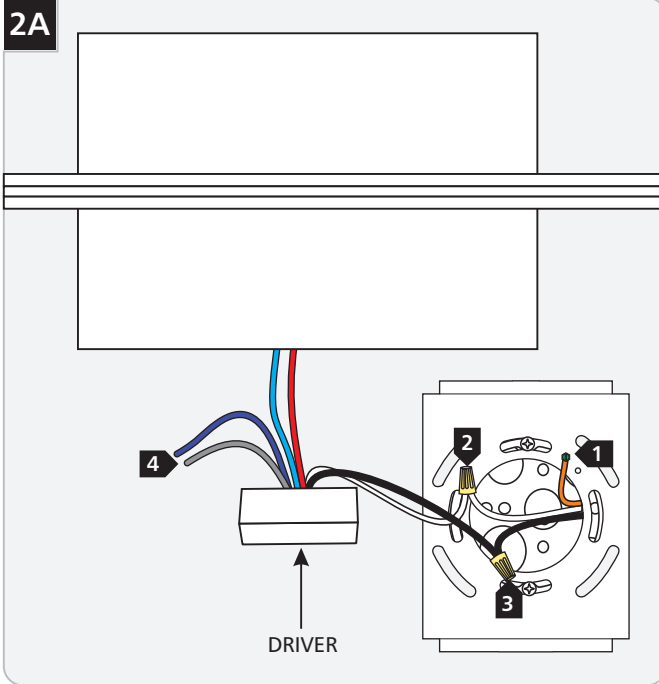


- 1** With the Allen wrench provided, back out (do not fully remove) the set screw at the base of the fixture.
- 2** Remove the mounting plate from the back of the fixture.



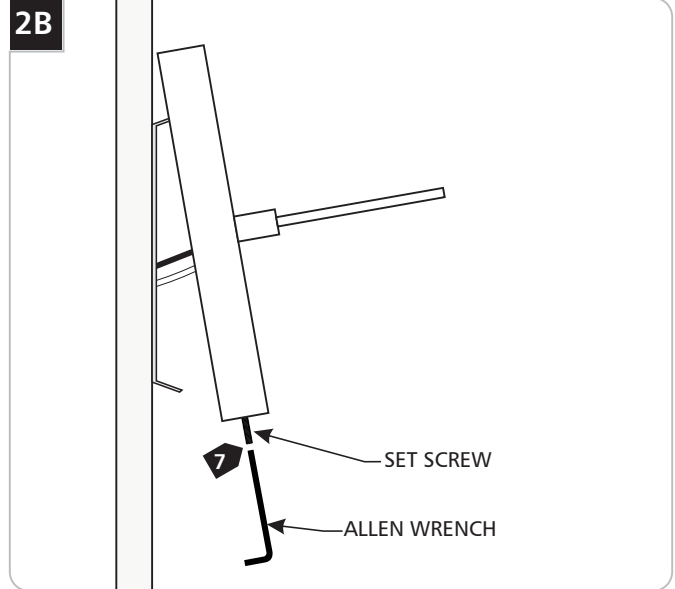
- 3** Attach the mounting plate to the electrical box using the two provided #8-32 screws .

Install the Fixture

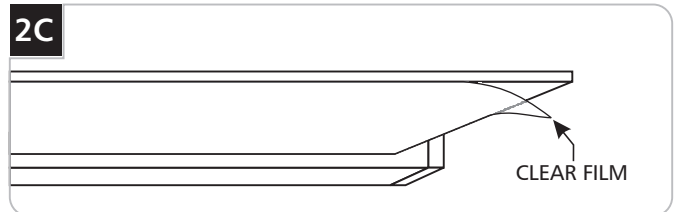


- 1 Connect the backplate wire to a suitable ground in accordance with local electrical codes.
- 2 Connect the white driver wire to the neutral power line.
- 3 Connect the black driver wire to the hot power line.
- 4 Use the gray and purple dimming wires for 0-10v dimming application.

NOTE: The purple and gray wires are only used for 0-10v dimming. For all other applications, do not connect the gray and purple wires.



- 5 Properly place the driver, all wires, and wire nut connections into the canopy. **Note: the driver for Span 24 must be installed into the electrical box.**
- 6 Hook the top of the fixture to the top of the mounting plate and swing the bottom of the fixture toward the plate until it is flush with the wall.
- 7 Tighten the set screw at the bottom of the fixture.



FOR DIRECT VERSIONS

WARNING: DO NOT REMOVE THE WHITE ADHESIVE FILM from the **TOP AND SIDES** of this fixture. Only **REMOVE THE TRANSPARENT PROTECTIVE FILM** which is located on the **BOTTOM** of the fixture.

FOR DIRECT/INDIRECT VERSIONS

WARNING: DO NOT REMOVE THE WHITE ADHESIVE FILM from the **SIDES** of this fixture. Only **REMOVE THE TRANSPARENT PROTECTIVE FILM** which is located on the **TOP AND BOTTOM** of the fixture.

- 8 Remove only the **CLEAR** protective film.

 **TECH LIGHTING**

7400 Linder Ave., Skokie, IL 60077
T 847.410.4400 | F 847.410.4500
www.techlighting.com