

The Roton pendant makes an impressive design statement in the simplicity and scale of its cylindrical geometry. Featuring a spun aluminum body and subtle diffuser, the Roton pendant houses a powerful LED light source designed to deliver softly diffused down lighting for controlled and distinctive illumination.

Outstanding protection against the elements:

- Powder coat finishes
- Stainless Steel mounting hardware
- Impact-resistant, UV stabilized lensing
- IP65 Rated

Adjustable distance from ceiling

SPECIFICATIONS

DELIVERED LUMENS	1320
WATTS	21
VOLTAGE	Universal 120-277V
DIMMING	0-10, ELV, TRIAC
LIGHT DISTRIBUTION	Symmetric
MOUNTING OPTIONS	Ceiling
ADJUSTABILITY	Adjustable stem length (3", 6" and 12"). Integrated ball joint that accommodates sloped ceiling up to 45°.
CCT	2700K, 3000K or 4000K
CRI	90+
COLOR BINNING	3 Step
BUG RATING	B1-U2-G1
DARK SKY	Non-compliant
WET LISTED	IP65
GENERAL LISTING	ETL
CALIFORNIA TITLE 24	Can be used to comply with CEC 2019 Title 24 Part 6 for outdoor use. Registration with CEC Appliance Database not required.
START TEMP	-30°C
FIELD SERVICEABLE LED	Yes
CONSTRUCTION	Aluminum
HARDWARE	Stainless Steel
FINISH	Powder Coat
LED LIFETIME	L70: >60,000 Hours
WARRANTY*	5 Years
WEIGHT	5.2 lbs.

* Visit techlighting.com for specific warranty limitations and details.

Please note, hanging outdoor fixtures are not meant for areas with high winds, which can cause damage to the fixture.

ORDERING INFORMATION

PRODUCT	CRI / CCT	WIDTH	FINISH	VOLTAGE
700OPROT	927 90 CRI, 2700K	12 12"	Z BRONZE	UNV 120V-277V
	930 90 CRI, 3000K		H CHARCOAL	
	940 90 CRI, 4000K		B BLACK	

RIGID STEM ONLY (ADJUSTABLE 3", 6" AND 12" LENGTHS)



ROTON 12 PENDANT
shown in charcoal

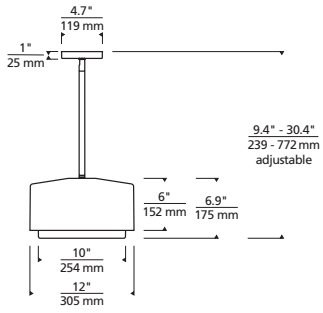


ROTON 12 PENDANT
shown in bronze



ROTON 12 PENDANT
shown in black

ROTON 12 OUTDOOR PENDANT



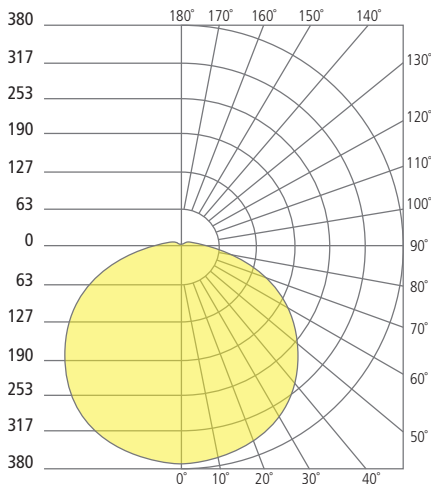
Roton Pendant

PHOTOMETRICS*

*For latest photometrics, please visit www.techlighting.com/OUTDOOR

ROTON 12

- Total Lumen Output: 1320
- Total Power: 21
- Luminaire Efficacy: 63
- Color Temp: 4000K
- CRi: 90+
- BUG Rating: B1-U2-G1



PROJECT INFO

FIXTURE TYPE & QUANTITY

JOB NAME & INFO

NOTES



© 2020 Tech Lighting, L.L.C. All rights reserved. The "Tech Lighting" graphic is a registered trademark. Tech Lighting reserves the right to change specifications for product improvements without notification.