

# Rohe Table Lamp

700PRTSRHE 1.0



PORTABLE

### GENERAL PRODUCT INFORMATION:

This product is suitable for dry locations only.

This instruction shows a typical installation.



### IMPORTANT SAFETY INSTRUCTIONS

This portable lamp has a polarized plug (one blade is wider than the other) as a safety feature to reduce the risk of electric shock. This plug will fit in a polarized outlet only one way. If the plug does not fit fully in the outlet, reverse the plug. If it still does not fit contact a qualified electrician. Never use with an extension cord unless plug can be fully inserted. Do not attempt to defeat this safety feature.



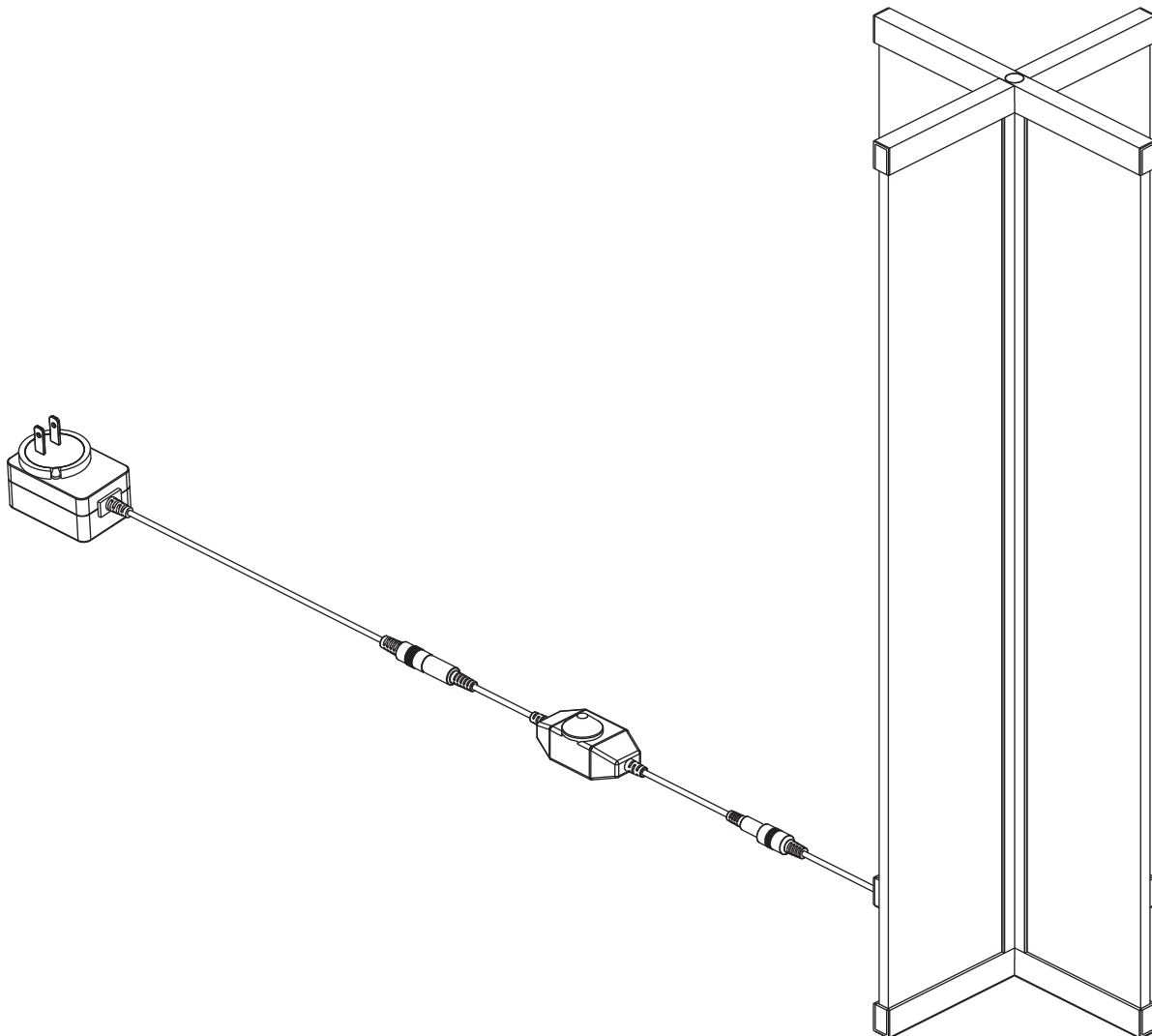
7400 Linder Ave, Skokie, IL 60077

847.410.4400

[www.techlighting.com](http://www.techlighting.com)

© 2020 Tech Lighting, L.L.C. All rights reserved.

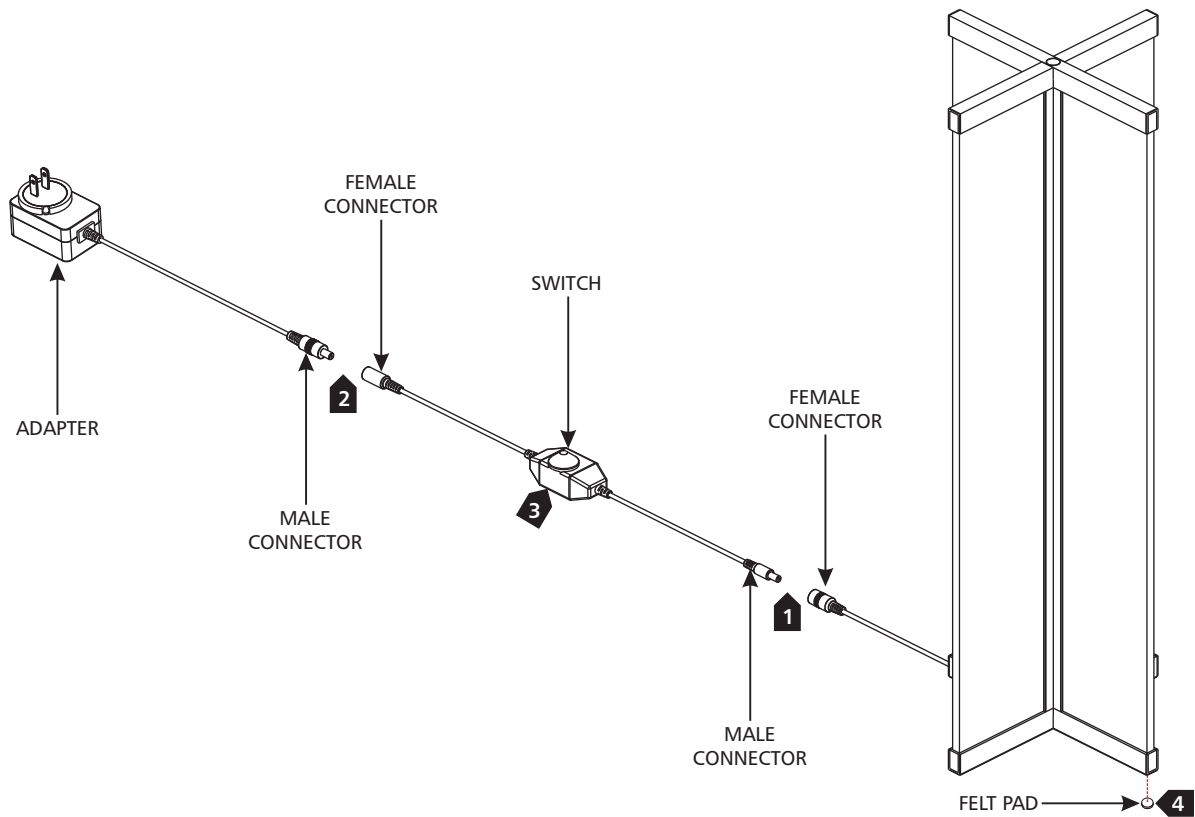
Visual Comfort Group



**SAVE THESE INSTRUCTIONS!**

# Install the Fixture

1A



- 1 Connect the male connector from the switch to the female adapter on the fixture.
- 2 Connect the male connector from the adapter to the female connector from the switch.
- 3 Use the switch to turn the fixture on/off and to change dimming levels.
- 4 **Optional:** For fine leveling of lamp, add provided felt pads on outer edges of lamp base.