

Single Power Feed Canopies

700MOP_CO_

1.9



POWER FEED CANOPIES

GENERAL PRODUCT INFORMATION:



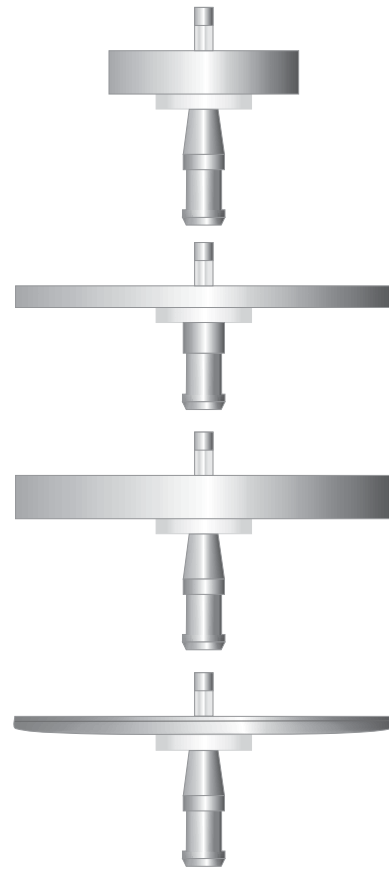
This fixture is intended to be installed utilizing NEC compliant junction boxes with a minimum depth of 2".

Minimum volume of the junction box must be 6 cubic inches (98 cubic centimeter).

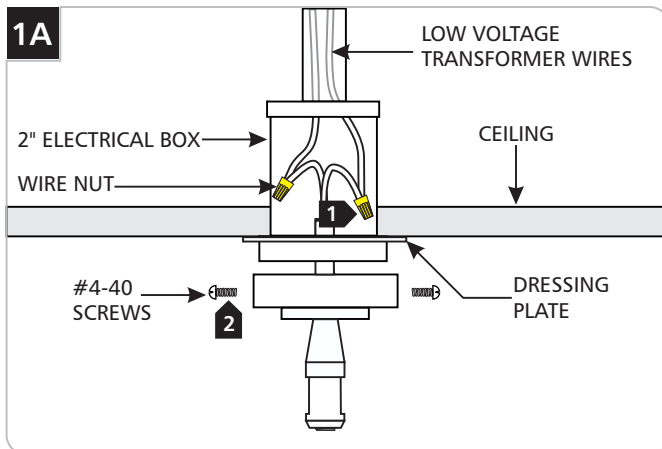
This product is suitable for indoor dry locations only.

NOTE: The remote transformer should be installed prior to these steps. Refer to the instructions provided with the remote transformer.

NOTE: When extending the MonoRail power feed canopy, refer to the instructions provided with the power feed extenders before following the steps below.



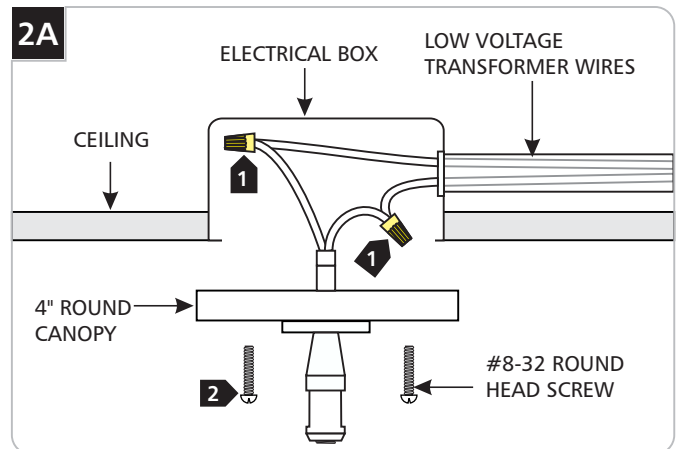
Install the 2" Square Power Feed Canopy



NOTE: The 2" Electrical box should be installed prior to these steps. Refer to the instructions provided with the 2" electrical box.

- 1 Connect the power feed canopy wires to the low voltage wires coming from the remote transformer in the 2" electrical box with wire nuts.
- 2 Mount the 2" square canopy to the 2" electrical box with the two #4-40 screws.

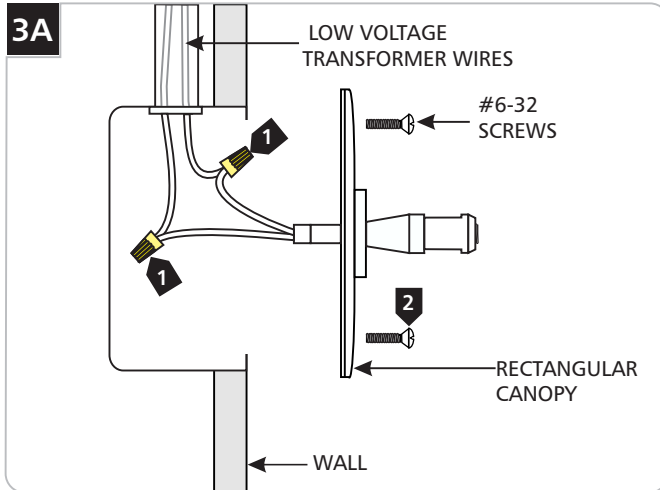
Install the 4" Round Standard and Low Profile Power Feed Canopy



- 1 Connect the power feed canopy wires to the low voltage wires coming from the remote transformer in the electrical box with wire nuts.
- 2 Mount the 4" round power feed canopy to the electrical box with the two #8-32 screws.

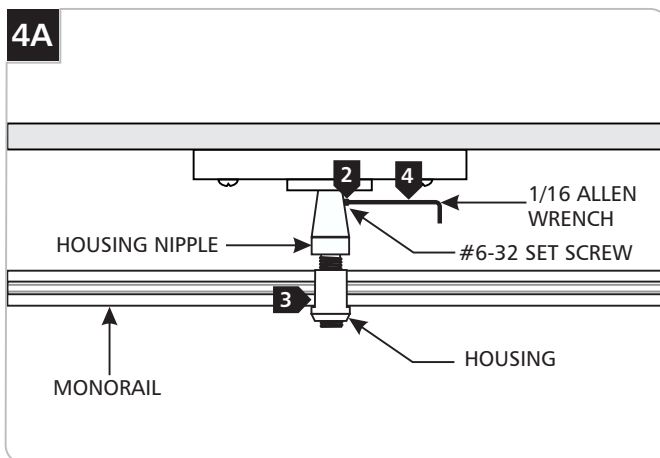
NOTE: Use the provided universal round crossbar when the canopy holes do not line up with the electrical box holes.

Install the Rectangular Power Feed Canopy

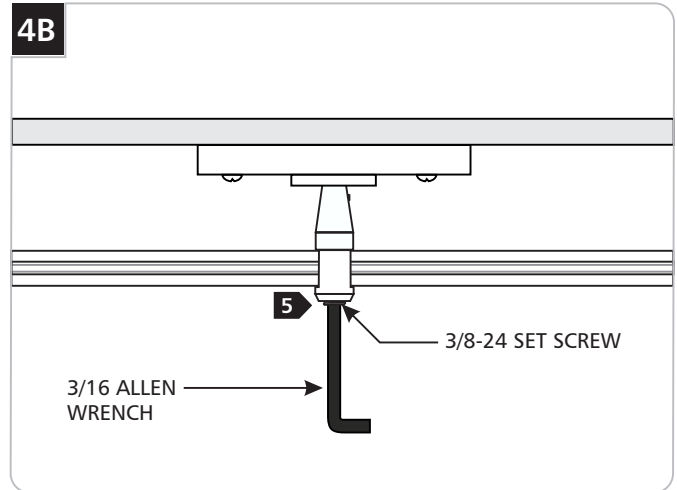


- 1** Connect the power feed canopy wires to the low voltage wires coming from the remote transformer in the electrical box with wire nuts.
- 2** Mount the rectangular power feed canopy to the electrical box with the two #6-32 screws.

Connecting the MonoRail to the Power Feed Canopy

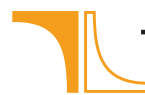


- 1** Unscrew the housing nipple from the housing.
- 2** Loosen the #6-32 set screw on the housing nipple with 1/16 Allen wrench.
- 3** Place the MonoRail into the housing. Screw the housing nipple to the housing tight by twisting the housing nipple clockwise.
- 4** Tighten the #6-32 set screw with the 1/16 Allen wrench.



- 5** Tighten the 3/8-24 set screw on the bottom of the housing with the 3/16 Allen wrench.

SAVE THESE INSTRUCTIONS!



TECH LIGHTING®

7400 Linder Ave, Skokie, IL 60077

847.410.4400

www.techlighting.com

© 2016 Tech Lighting, L.L.C. All rights reserved. The "Tech Lighting" graphic is a registered trademark of Tech Lighting, L.L.C. Tech Lighting reserves the right to change specifications for product improvements without notification.

A Generation Brands Company