

# Support Outside Rigger

700MOSORG\_

1.6



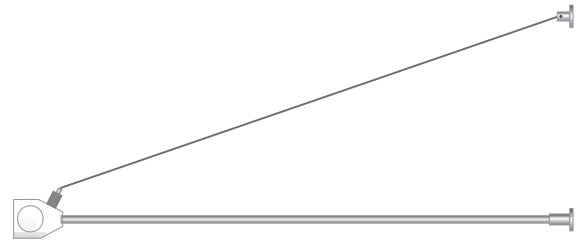
## SPECIAL INSTALLATION

### GENERAL PRODUCT INFORMATION:

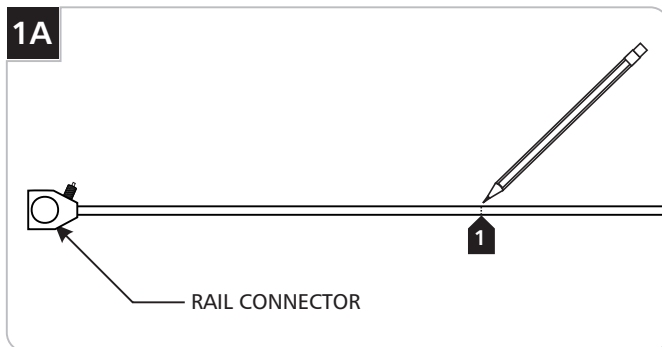


This product is suitable for indoor dry locations only.

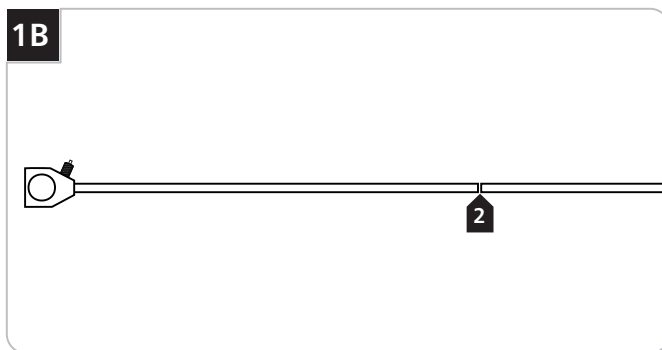
This product is intended for use with Tech Lighting MonoRail system only.



## Resizing the Support Rod

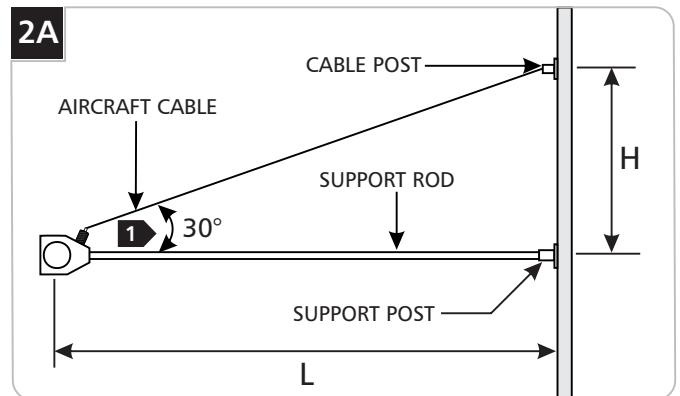


**1** From the end without the rail connector, mark the section of the support rod that needs to be shortened.



- 2** Cut the marked sections with a hacksaw.
- 3** Clean the inside and outside burrs of the cut section.

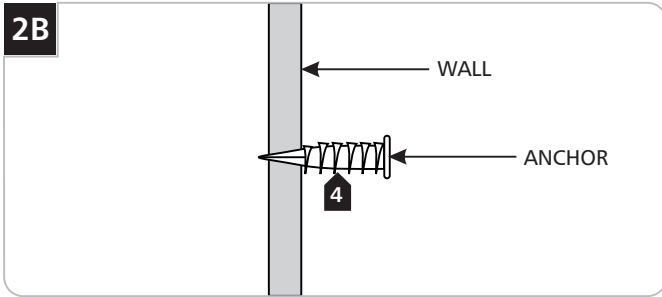
## Installing the Cable & Support Post



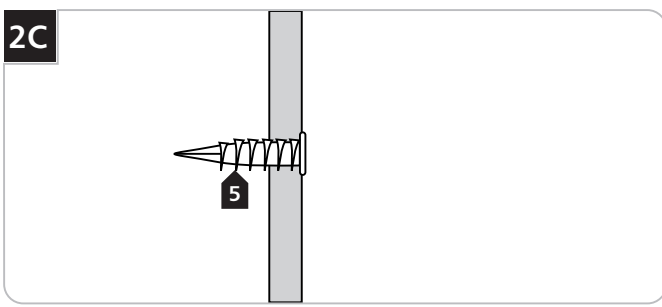
- 1** The cable post should be mounted above the support post at a minimum of 30° angle between the support rod and the aircraft cable to properly lock the aircraft cable in position.
- 2** Use the tables below to determine the cable post position relative to the support post for various angles.

ANGLE	EQUATION FOR HEIGHT (H)
30°	$H = 0.6 \times L$
45°	$H = L$
60°	$H = 1.7 \times L$

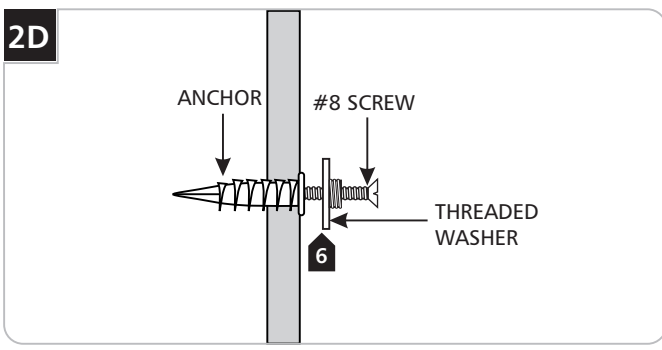
LENGTH (L)	(H) FOR 30°	(H) FOR 45°	(H) FOR 60°
36"	21"	36"	62"
24"	14"	24"	42"
12"	7"	12"	21"



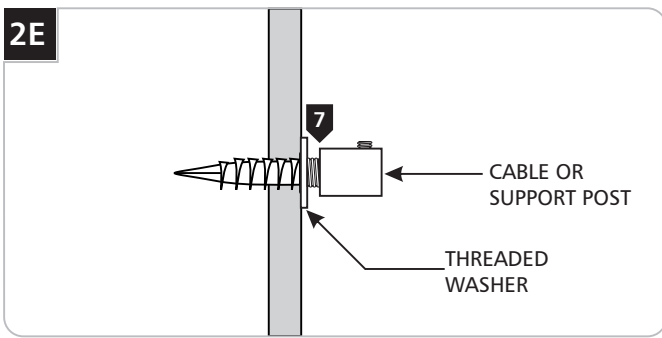
- 3** Mark the locations of the cable and support post onto the wall.
- 4** With a hammer tap the anchors at the marked points into the wall up to the threaded portion.



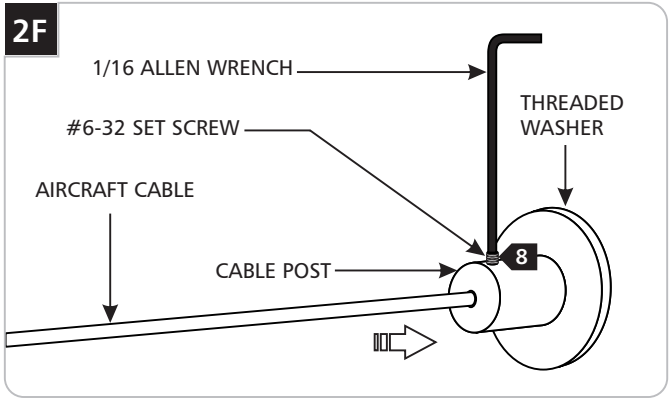
- 5** Screw the anchors in the rest of the way with a Phillips screwdriver.



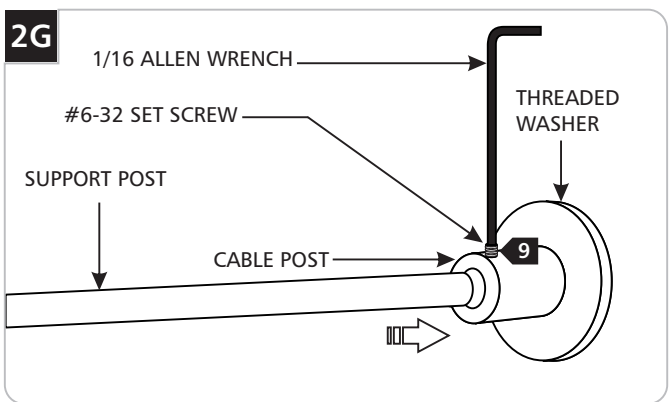
- 6** Attach the threaded washer to the anchor with the #8 screw.



- 7** Screw the cable and support posts to the threaded washers.

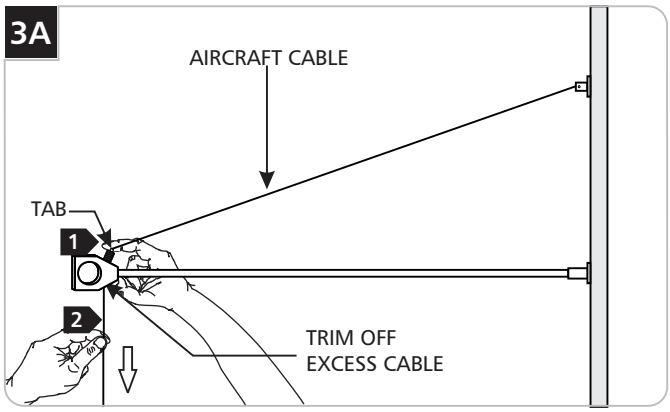


- 8** Feed the aircraft cable into the cable post and tighten the #6-32 set screw with the 1/16 Allen wrench.



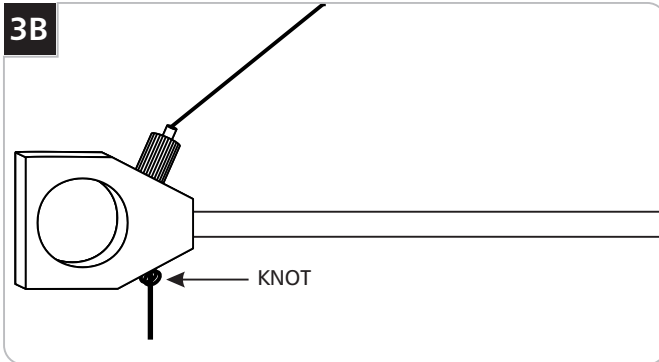
- 9** Push the support rod all the way into the support post and tighten the #6-32 set screw with the 1/16 Allen wrench.

## Installing the Aircraft Cable

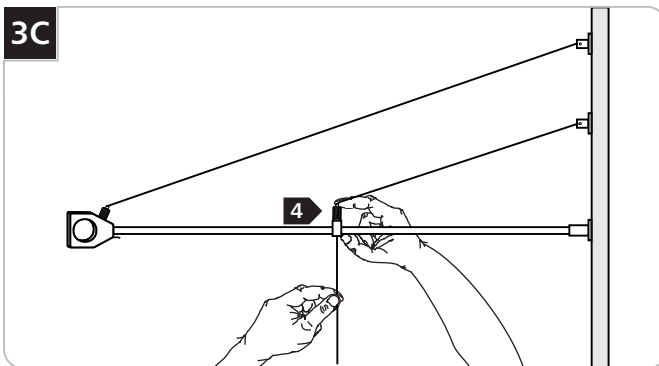


- 1** Push the wire grip tab down and feed the aircraft cable through the hole.
- 2** After adjusting the support outside rigger, release the tab to lock the outside rigger in position. Trim off the excess aircraft cable for a nice and neat look.

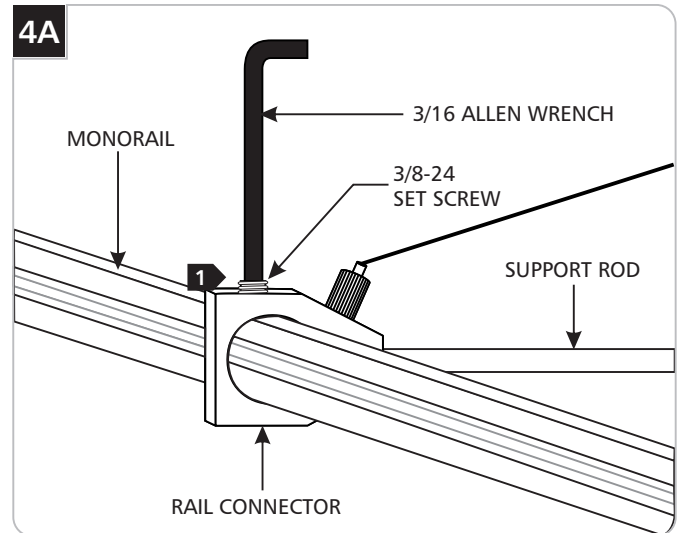
## Connecting the MonoRail to Support Outside Rigger



- 3** Put a knot in the aircraft cable beneath the rail connector when the angle is less than 30° or when the aircraft cable slips.



- 4** Support outside riggers with over 36" support rod come with an additional wire grip in the middle of the support rod. Repeat the applicable steps for installing the additional wire grip.



- 1** Slide the MonoRail through the rail connector hole and tighten the 3/8-24 set screw with the 3/16 Allen wrench.

**SAVE THESE INSTRUCTIONS!**



**TECH LIGHTING®**

7400 Linder Ave, Skokie, IL 60077

847.410.4400

[www.techlighting.com](http://www.techlighting.com)

© 2008 Tech Lighting, L.L.C. All rights reserved. The "Tech Lighting" graphic is a registered trademark of Tech Lighting, L.L.C. Tech Lighting reserves the right to change specifications for product improvements without notification.

A Generation Brands Company