

Single Feed Electronic LED Transformer Canopy

700MOFRT60_LED 1.2



SURFACE TRANSFORMERS

GENERAL PRODUCT INFORMATION:

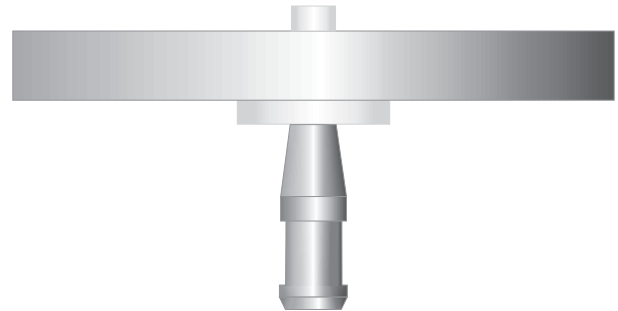


This fixture is intended to be installed utilizing NEC compliant junction boxes with a minimum depth of 2".

Minimum volume of the junction box must be 6 cubic inches (98 cubic centimeter).

This product may be dimmed with a low-voltage electronic dimmer.

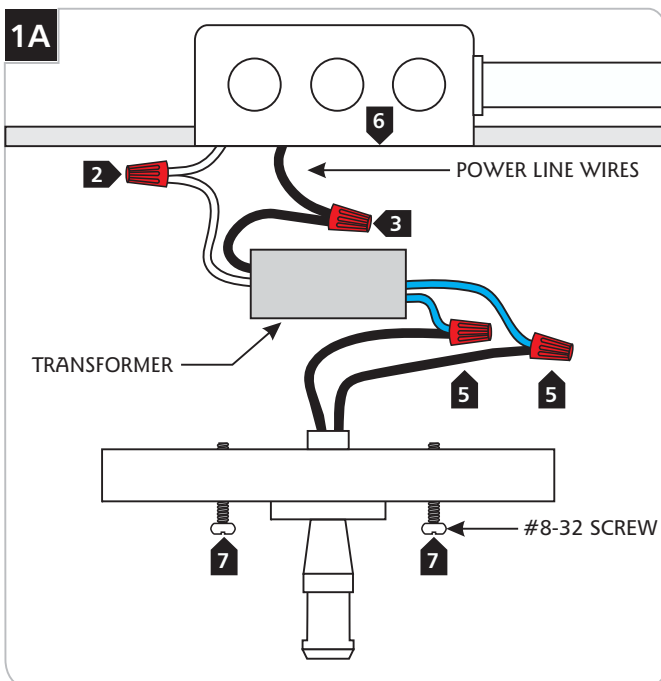
This product is suitable for indoor dry locations only.



Install the Power Feed Canopy

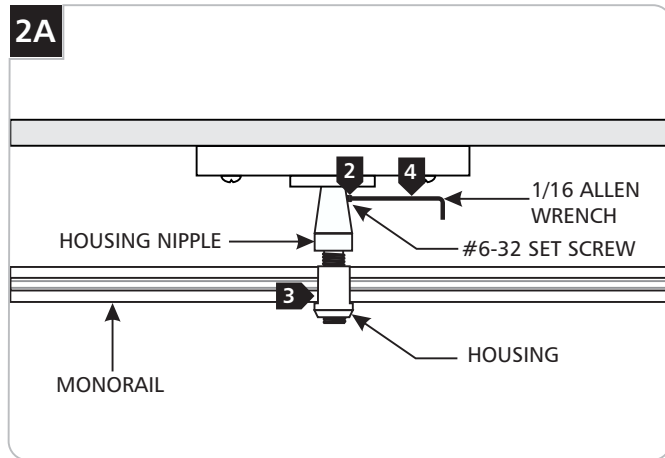
NOTE: When extending the MonoRail power feed canopy, refer to the instruction provided with the power feed extenders before following the steps below.

NOTE: Use the provided universal round crossbar when the canopy holes do not line up with the electrical box holes.

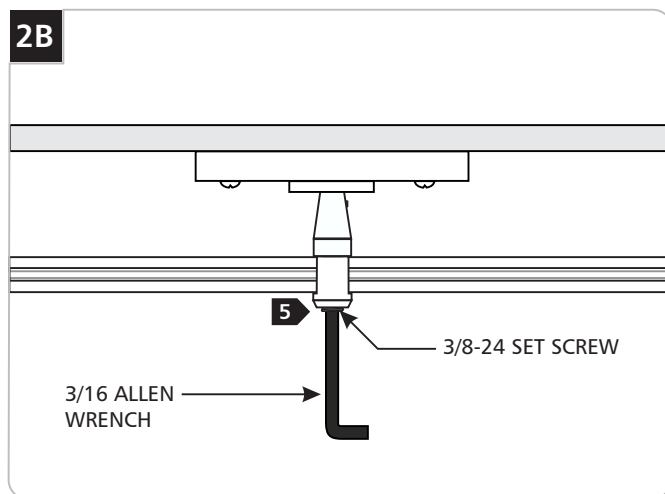


- 1 Disconnect power to the electrical box.
- 2 Connect the white transformer wire to the neutral power line wire with a wire nut.
- 3 Connect the black transformer wire to the hot power line wire with a wire nut.
- 4 Connect the fixture to a suitable ground in accordance with local electrical codes.
- 5 Connect the canopy wires to the transformer output wires with wire nuts.
- 6 Place the transformer, wires, and wire nut connections inside the electrical box.
- 7 Mount power feed canopy to the electrical box with the two #8-32 screws.

Connecting the MonoRail to the Power Feed Canopy



- 1 Unscrew the housing nipple from the housing.
- 2 Loosen the #6-32 set screw on the housing nipple with 1/16 Allen wrench.
- 3 Place the MonoRail into the housing. Screw the housing nipple to the housing tight by twisting the housing nipple clockwise.
- 4 Tighten the #6-32 set screw with the 1/16 Allen wrench.



- 5 Tighten the 3/8-24 set screw on the bottom of the housing with the 3/16 Allen wrench.

Important Safety Information

To reduce the risk of fire and burns, do not install this lighting system where the uninsulated open bus bar conductors can be shorted or contact any conductive materials.

To reduce the risk of the system overheating and possibly causing a fire, make sure all the connections are tight.

Do not install fixture assemblies closer than 6 inches to curtains or similarly combustible materials.

Turn the electrical power off before modifying the lighting system in any way.

The fixtures used with the system must be identified to be used with the corresponding system.

Minimum volume of the electrical box must be 6 cubic inches (98 cubic centimeter).

Load the circuit of the remote transformers to no more than the maximum rated capacity as specified.

To reset the electronic surface transformer, turn the power off then on (main power, breaker panel, or wall switch).

SAVE THESE INSTRUCTIONS!



7400 Linder Ave, Skokie, IL 60077
847.410.4400

www.techlighting.com

© 2016 Tech Lighting, L.L.C. All rights reserved. The "Tech Lighting" graphic is a registered trademark of Tech Lighting, L.L.C. Tech Lighting reserves the right to change specifications for product improvements without notification.
A Generation Brands Company