

# Conducting Connectors

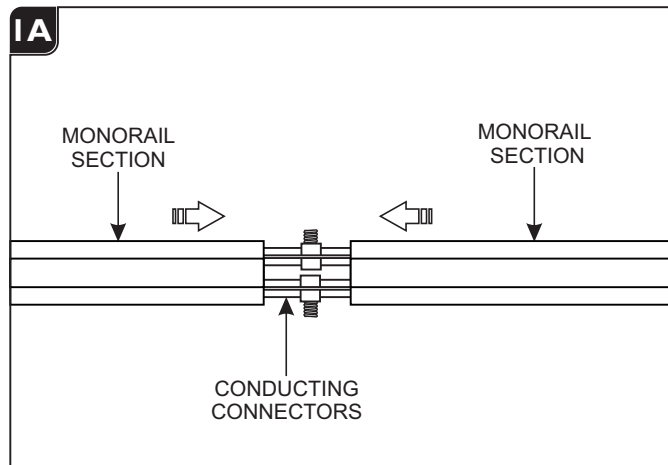
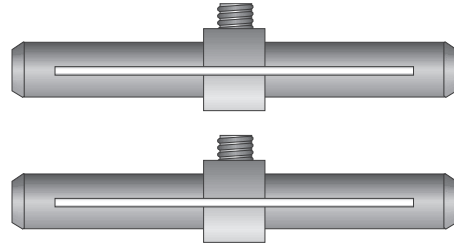


## CONNECTORS

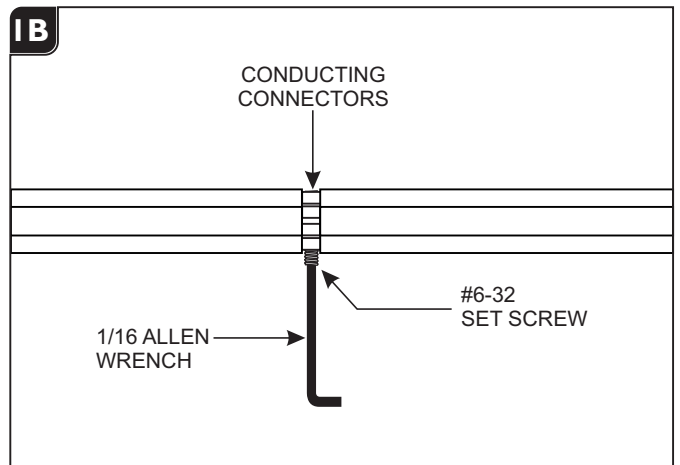
### GENERAL PRODUCT INFORMATION:



This product is suitable for dry locations only.



**1** Push the two MonoRail sections completely onto the conducting connectors.



**2** Tighten the #6-32 set screws firmly with the provided 1/16 Allen wrench. Do not overtighten the set screws or the threads may strip.

**SAVE THESE INSTRUCTIONS!**



7400 Linder Ave, Skokie, IL 60077  
847.410.4400

[www.techlighting.com](http://www.techlighting.com)

© 2020 Tech Lighting, L.L.C. All rights reserved.  
Visual Comfort & Co.