

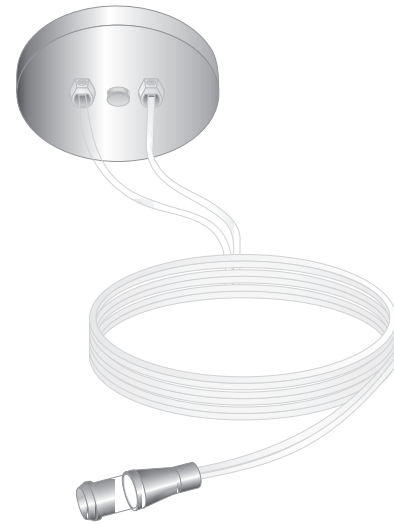


**GENERAL PRODUCT INFORMATION:**

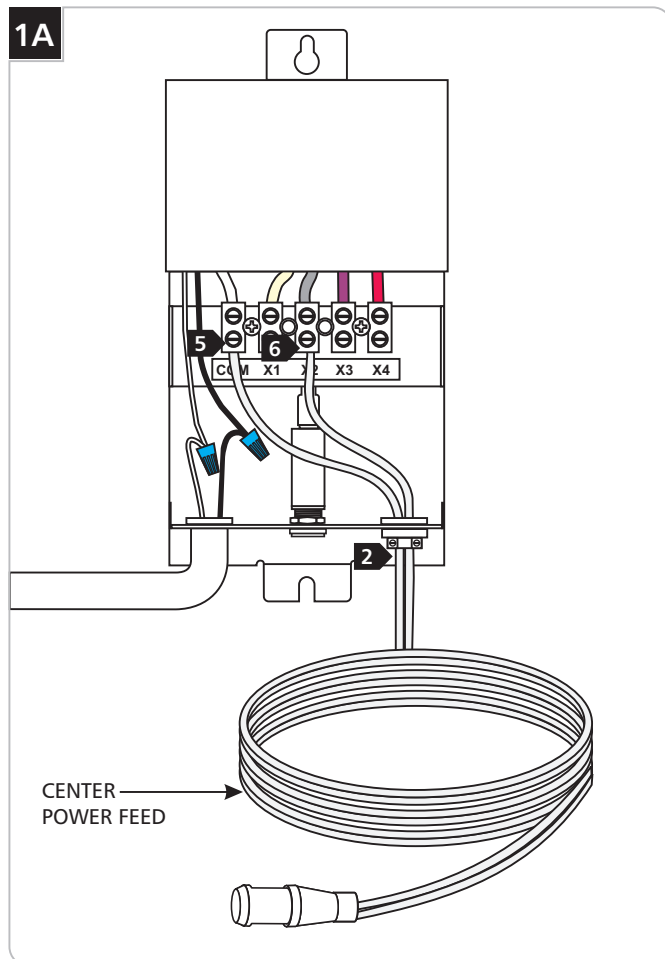


This product is suitable for indoor dry locations only.

This product must be used with Tech Lighting MonoRail system only.



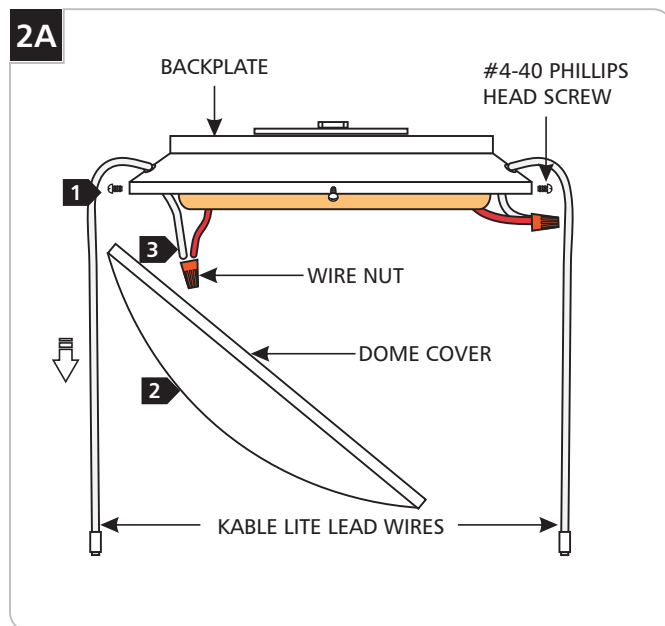
**Connect the Center Power Feed Wires Directly to the Remote Transformer**



**NOTE:** The provided power feed canopy is not used in this procedure.

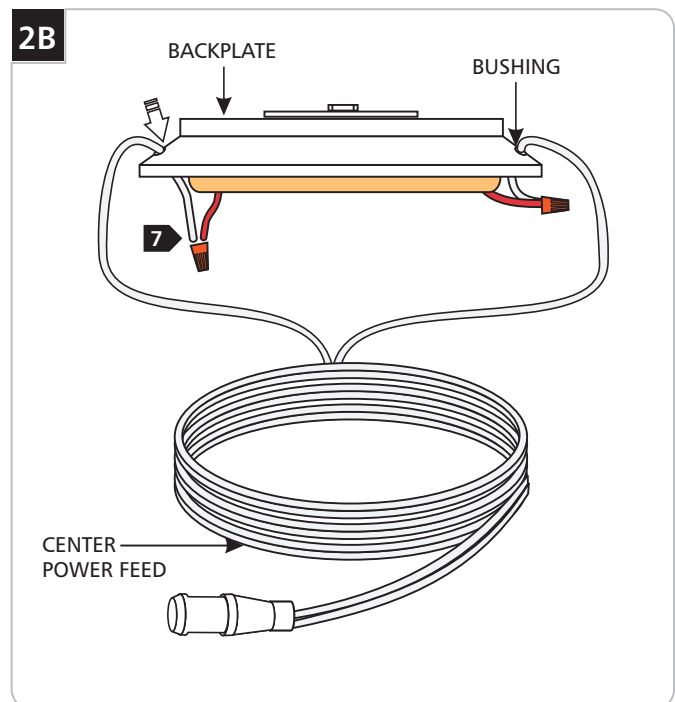
- Cut the center power feed wires to the desired length.
- Feed the center power feed wires into the transformer.
- With a sharp knife cut 1" from the end of the wire web and separate the wires 6" from each other.
- Strip 1/2" off the wire ends.
- Connect one center power feed wire to the "COM" terminal.
- Connect the other wire to the terminal marked "X2" (default). After installing the system completely, refer to the remote transformer instructions for connecting this wire to the proper terminal "X1- X4".

## Connecting the Center Power Feed Wires Directly to the Kable Lite Surface Transformer



**NOTE:** The provided power feed canopy is not used in this procedure.

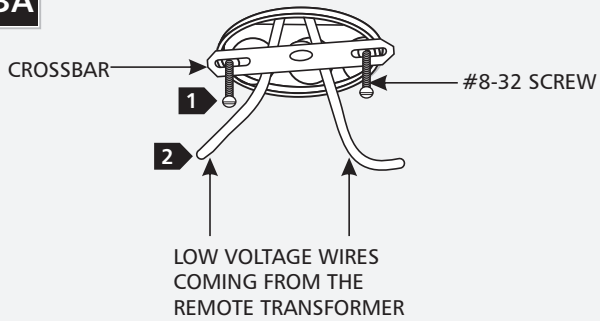
- 1 On side of the transformer canopy dome cover, remove the #4-40 Phillips head screws.
- 2 Lift the dome cover off of the transformer backplate.
- 3 Remove the Kable Lite lead wires by removing the wire nut connections.



- 4 Cut the center power feed wires to the desired length.
- 5 With a sharp knife cut 1" from the end of the wire web and separate the wires 12" from each other.
- 6 Strip 1/2" off the wire ends.
- 7 Feed the center power feed wires through the backplate bushings and connect them to the loose Low voltage wires with the wire nuts.
- 8 Refer to the Kable Lite surface mount transformer instruction to complete mounting the transformer.

## Install the Center Power Feed

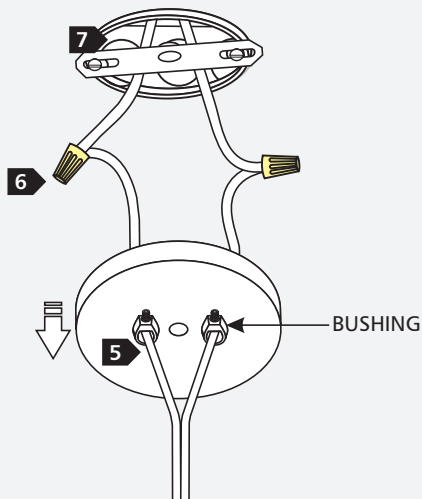
**3A**



**NOTE:** Low voltage wires must be present in electrical box before proceeding with these steps. Refer to the instructions provided with the remote transformer.

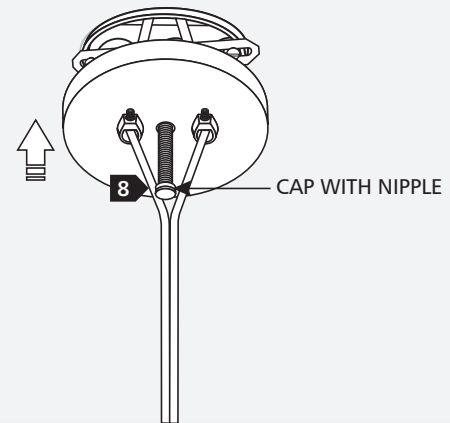
- 1 Mount the crossbar to the electrical box with the provided two #8-32 screws.
- 2 Pull the low voltage wires out of electrical box for power connection.

**3B**



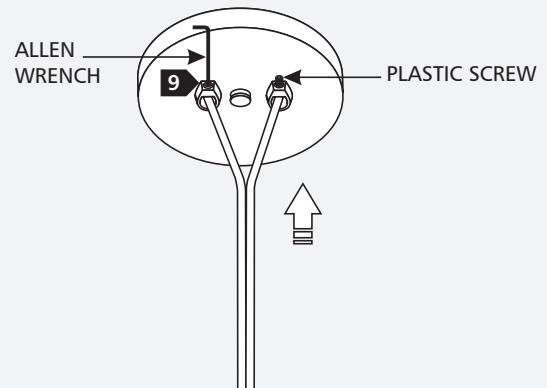
- 3 Cut the center power feed wires to the desired length.
- 4 With a sharp knife cut 1" from the end of the wire web and separate the wires 8" from each other.
- 5 Push the power feed wires through the canopy bushings and slide the canopy down the wires.
- 6 Strip 1/2" off the wire ends and connect them to the electrical box low voltage wires with the provided wire nuts.
- 7 Place the wire nut connections into the electrical box.

**3C**



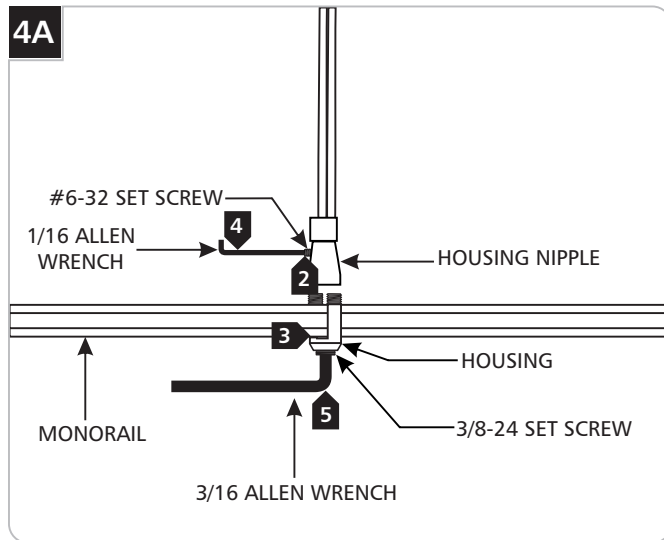
- 8 Slide the canopy up and secure it to the electrical box by screwing the cap with nipple to the crossbar.

**3D**



- 9 Push the excess power feed wires into the canopy and tighten the plastic screw with the provided Allen wrench.

## Connecting the Center Power Feed Connector to the MonoRail



- 1 Unscrew the housing from housing nipple.
- 2 Loosen the #6-32 set screw on the housing nipple with the 1/16 Allen wrench.
- 3 Push the housing onto the MonoRail. Screw the housing nipple to housing tight by twisting the housing nipple clockwise.
- 4 Tighten the #6-32 set screw on the housing nipple with the 1/16 Allen wrench.
- 5 Tighten the 3/8-24 set screw on the bottom of the housing with the 3/16 Allen wrench.

**SAVE THESE INSTRUCTIONS!**



7400 Linder Ave, Skokie, IL 60077  
847.410.4400

[www.techlighting.com](http://www.techlighting.com)

© 2008 Tech Lighting, L.L.C. All rights reserved. The "Tech Lighting" graphic is a registered trademark of Tech Lighting, L.L.C. Tech Lighting reserves the right to change specifications for product improvements without notification.  
A Generation Brands Company