



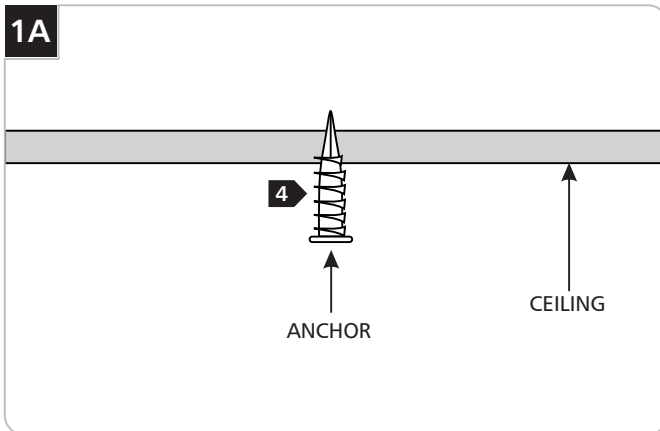
GENERAL PRODUCT INFORMATION:



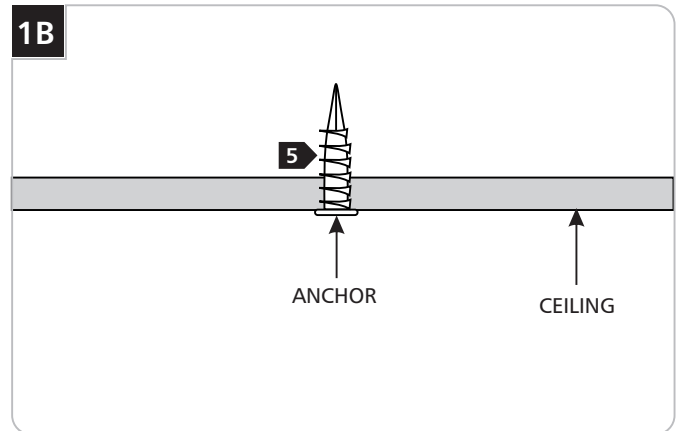
This product is suitable for indoor dry locations only.

This product must be used with Tech Lighting MonoRail system only.

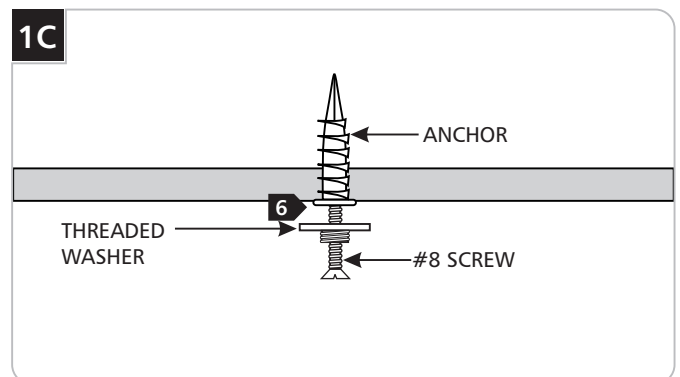
Use the MonoRail adjustable standoff every three feet and over the MonoRail join connectors.



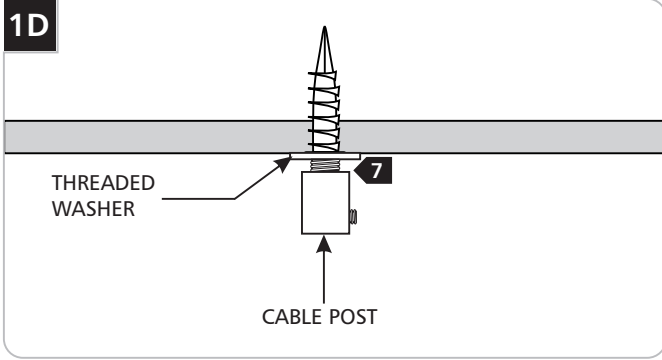
- 1** Select a location on the ceiling where the MonoRail is to be mounted.
- 2** One way of marking the standoff locations on the ceiling is to lay the MonoRail on the floor underneath of the selected location and by using a plumb bob pointing on the center of the MonoRail mark the points on the ceiling.
- 3** The other way is to hold the MonoRail directly against the ceiling and mark the standoff points on the ceiling.
- 4** Tap the anchors at the marked points up to the threaded portion with a hammer.



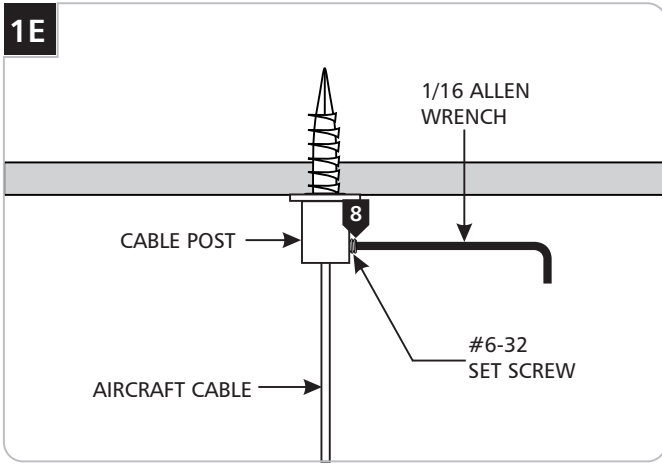
- 5** Screw the anchors in the rest of the way with a Phillips screwdriver.



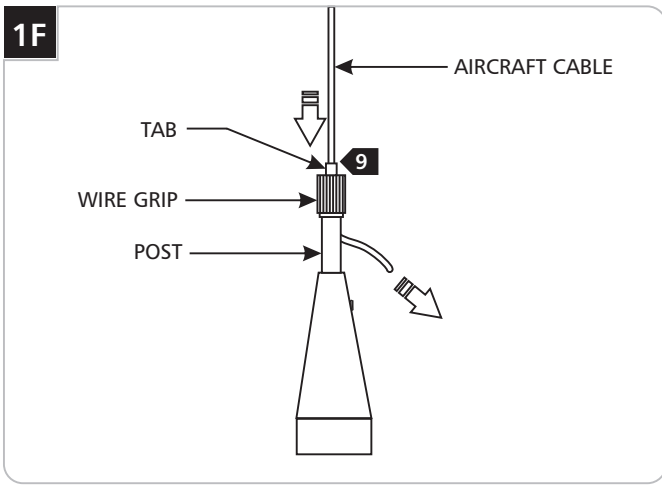
- 6** Attach the threaded washer to the anchors with the #8 screw.



7 Screw the cable posts to the threaded washers.

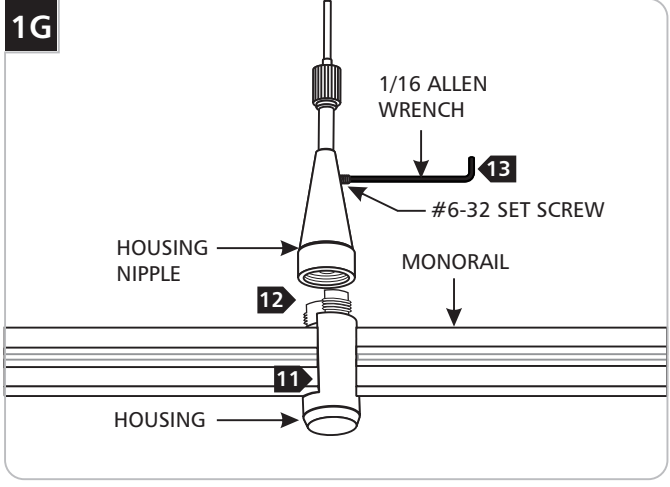


8 Feed the aircraft cables into the cable posts and tighten the #6-32 set screw with the 1/16 Allen wrench.



9 Feed the aircraft cable through the wire grip by pushing the tab down. Pull the aircraft cable through the hole on the post.

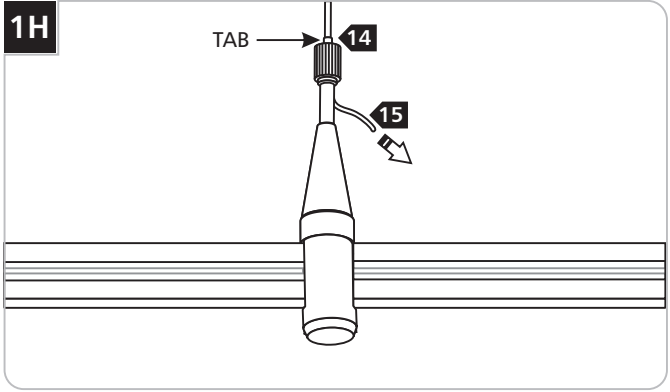
10 Repeat steps 8 and 9 for the remaining standoffs.



11 Place the MonoRail into the housing.

12 Loosen the #6-32 set screw on the housing nipple so that it can turn easily and screw the housing nipple to the housing tight.

13 Tighten the #6-32 set screw with the 1/16 Allen wrench.



14 Adjust the standoff height by pulling the aircraft cable and pushing the tab down.

15 After achieving the desired standoff heights, trim off excess aircraft cable coming out of the wire grip posts.

SAVE THESE INSTRUCTIONS!

TECH LIGHTING®
 7400 Linder Ave, Skokie, IL 60077
 847.410.4400
www.techlighting.com

© 2008 Tech Lighting, L.L.C. All rights reserved. The "Tech Lighting" graphic is a registered trademark of Tech Lighting, L.L.C. Tech Lighting reserves the right to change specifications for product improvements without notification.
 A Generation Brands Company