

# Mini-Ella Pendant

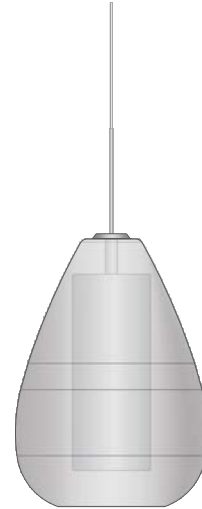
700FJELA\_ 1.0



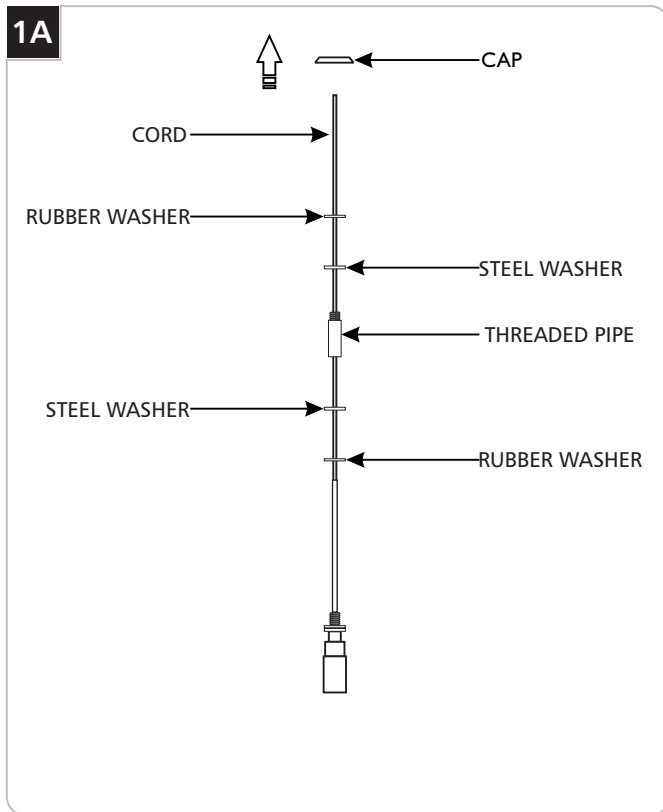
## GENERAL PRODUCT INFORMATION:



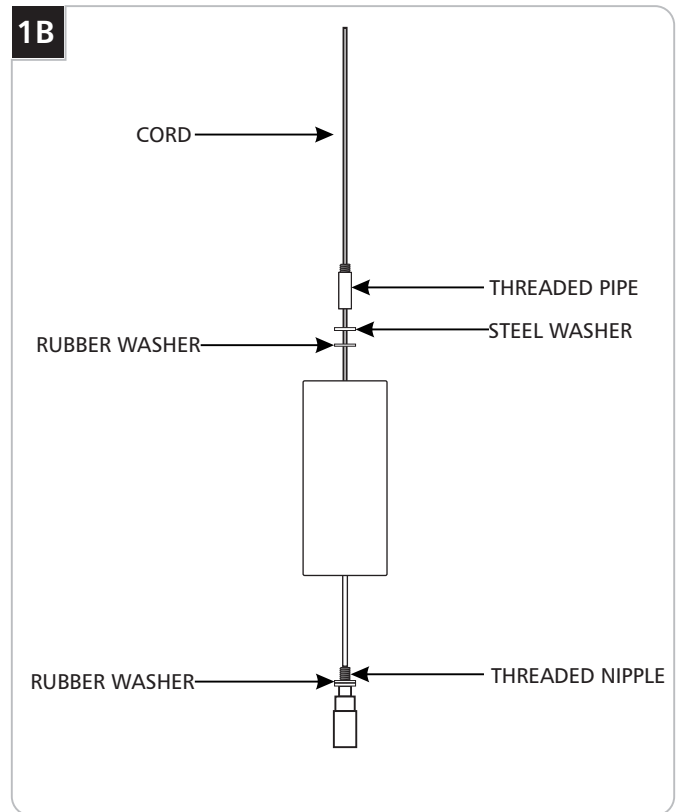
This product is ETL listed and suitable only for indoor dry locations and approved for use at any height above the finished floor.



## Assemble the Fixture

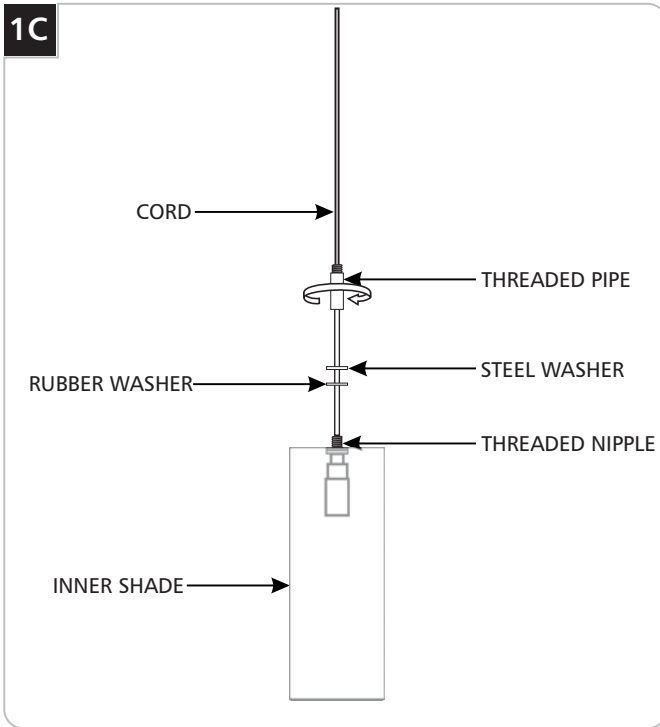


**1** Remove the cap, rubber washer, steel washer, threaded pipe, steel washer, and rubber washer from the cord.

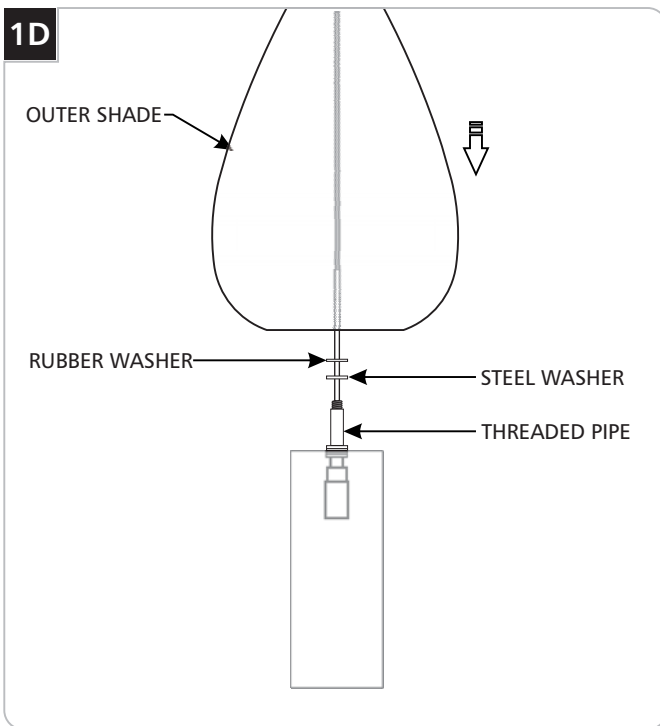


**2** Feed the cord through the inner shade and ensure that the rubber washer is seated properly on the threaded nipple.

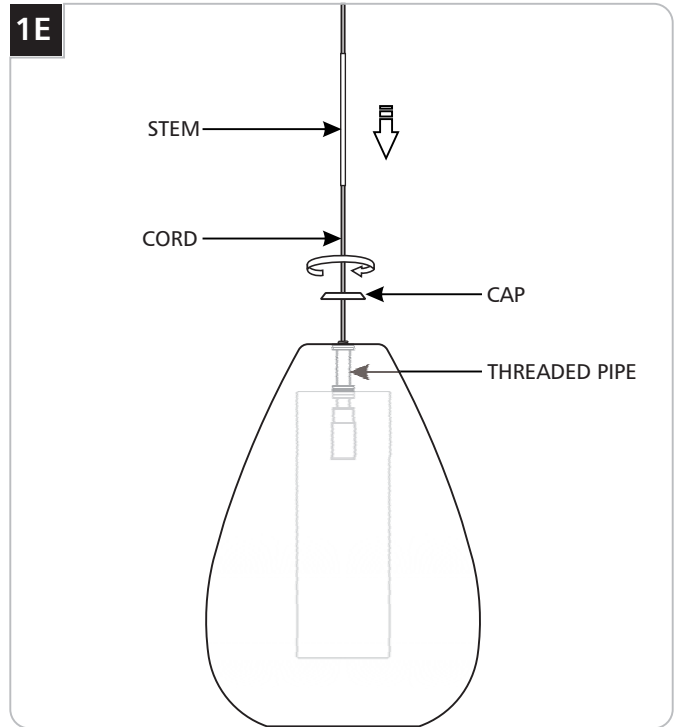
**3** Install a rubber washer, steel washer, and threaded pipe (in that order) onto the cord.



- 4 Pull the cord up and lower the inner shade onto the threaded nipple.
- 5 Lower the rubber washer and steel washer onto the threaded nipple and screw the threaded pipe onto the nipple. **Do Not Over-tighten.**

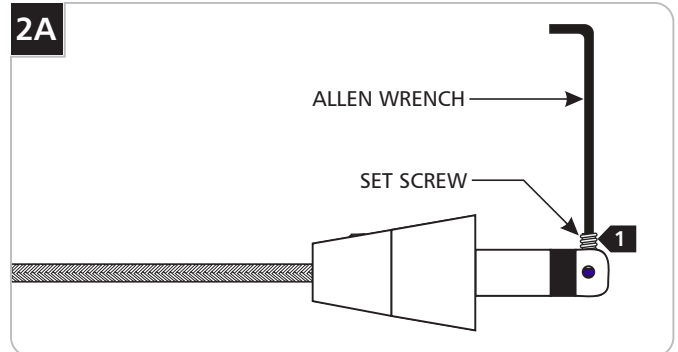


- 6 Install a steel washer and rubber washer (in that order) onto the cord and slide them down onto the threaded pipe.
- 7 Feed the cord through the outer shade and carefully lower the outer shade onto the threaded pipe.

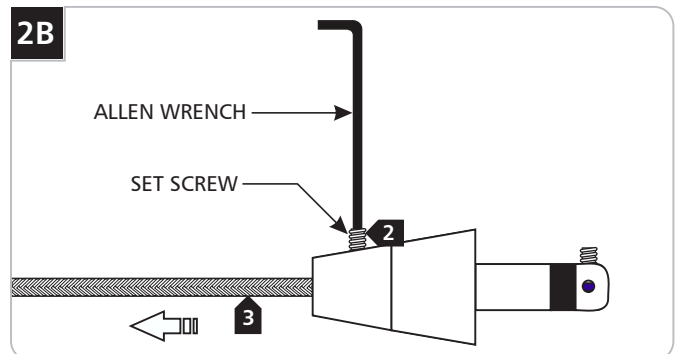


- 8 Reinstall the cap onto the cord and screw it onto the threaded pipe.
- 9 If necessary, slide the stem all way down.

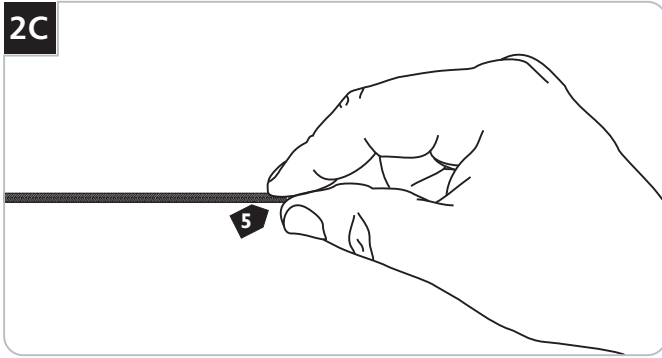
## Adjust The Fixture Height



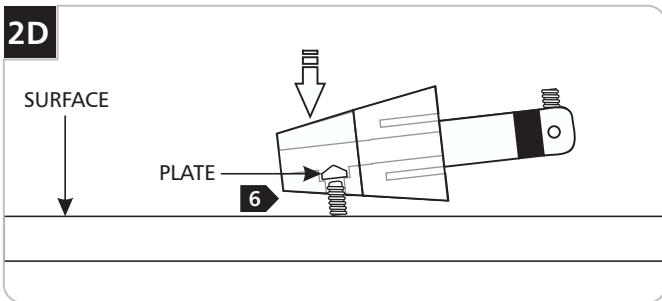
- 1 Back out (do not remove) the set screw on tip of the connector with the provided Allen wrench.



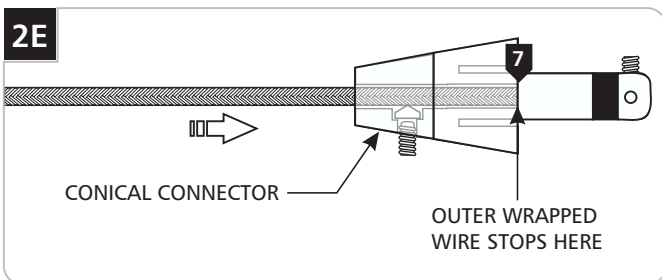
- 2 Back out (do not remove) the set screw on the conical connector with the provided Allen wrench.
- 3 Pull the coaxial cable out.



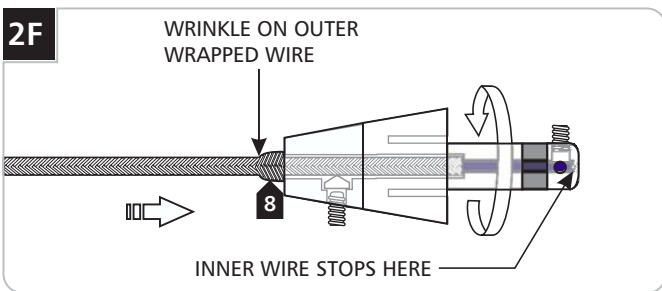
- 4 ➤ Cut the coaxial cable to the desired length.
- 5 ➤ Gently twist the end of the coaxial cable between thumb and forefinger.



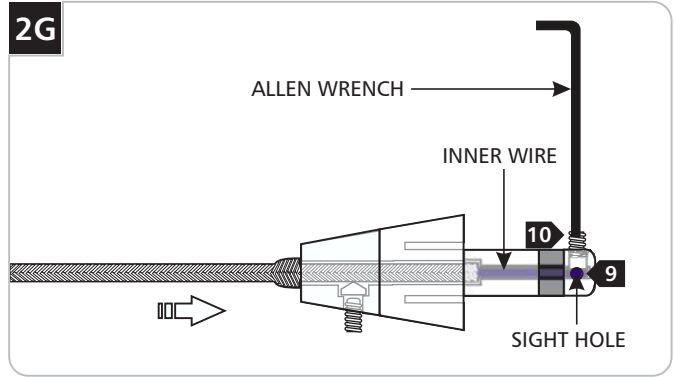
- 6 ➤ Tap the conical connector on a hard surface with the set screw facing down, so the plate inside drops into place.



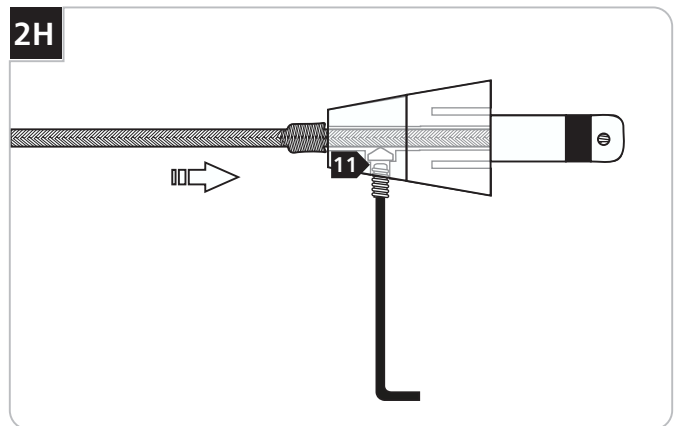
- 7 ➤ Feed and push the coaxial cable into the conical connector. The coaxial cable will come to a stop point after being inserted 3/4" into the conical connector.



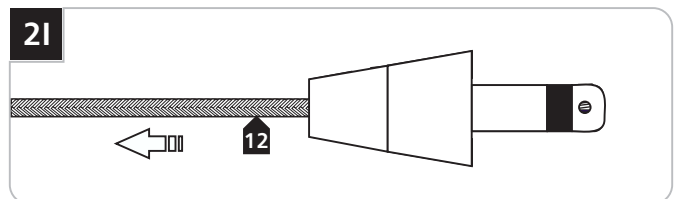
- 8 ➤ Keep pushing the coaxial cable into the connector while rotating the connector to ease feeding the inner wire into the tip of the connector. The outer wrapped wire will start wrinkling while being inserted another 1/2" into the connector.



- 9 ➤ Look into the sight hole on the top of the connector to make sure that the inner wire is contacting the end of the connector.
- 10 ➤ Hold the coaxial cable in place and tighten the set screw on tip of the connector with the provided Allen wrench. **Make sure this set screw connection is tight.**



- 11 ➤ Firmly tighten the set screw on the conical connector.

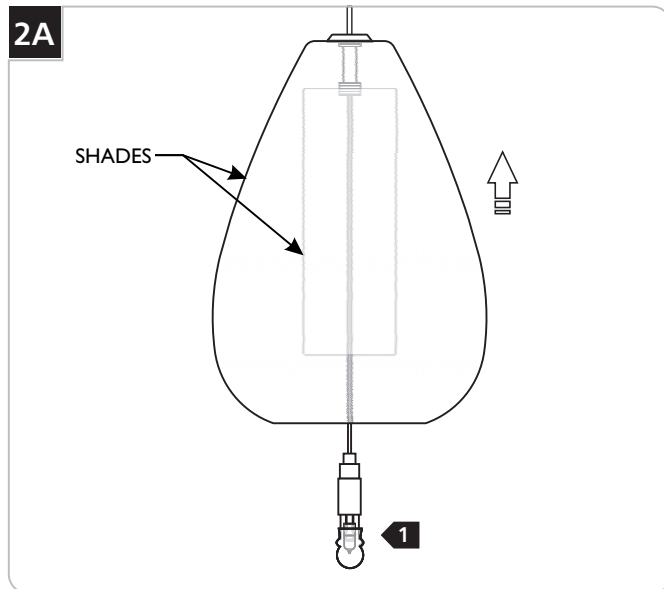


- 12 ➤ Pull the coaxial cable toward the fixture to smooth the wrinkles.

## Install/Replace the Lamp

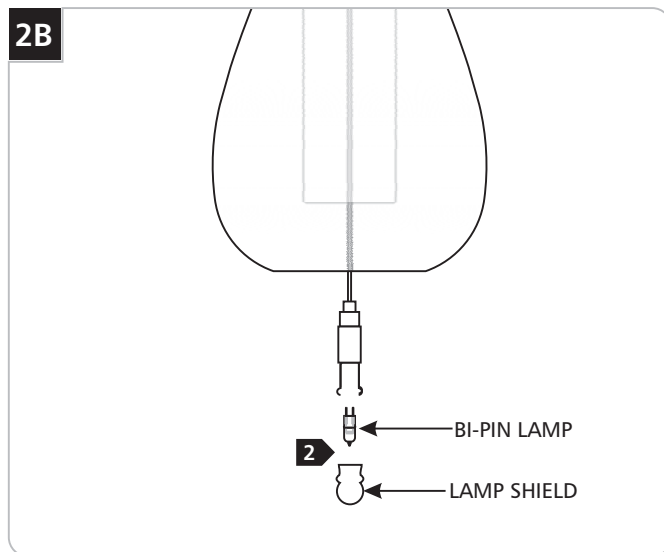
**CAUTION:** To reduce the risk of a burn or electric shock during relamping, disconnect the power to the fixture.

**NOTE:** lamp shield is for halogen lamping option only.



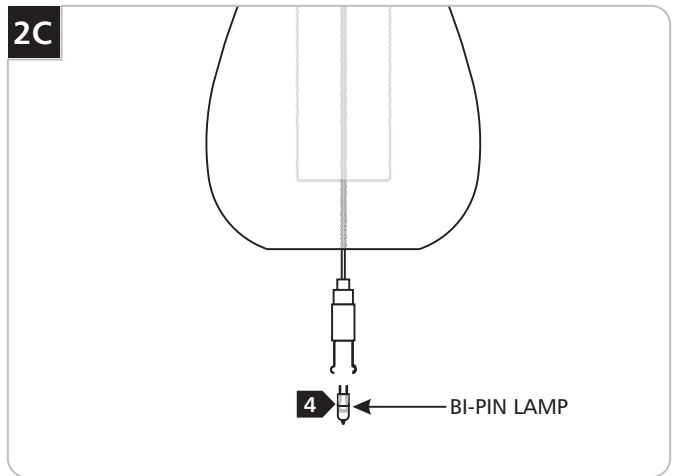
- 1** Lift the glass shades up to expose the socket.

**NOTE:** Use only your fingers and a soft cloth to replace the lamp.



- 2** Remove the lamp shield and the old lamp.

**SAVE THESE INSTRUCTIONS!**



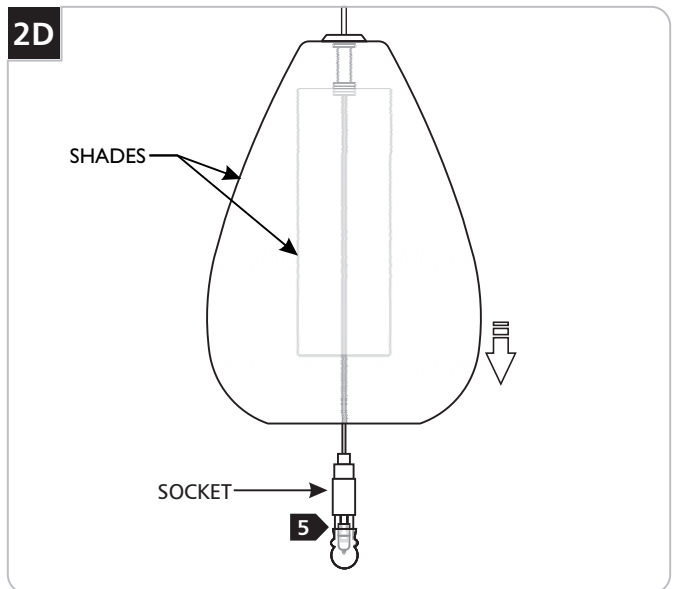
For incandescent versions, use  
**MAX 35 Watt Bi-Pin Halogen Lamp.**



For LED versions, use provided **MAX 8 Watt LED Bi-Pin Lamp.**

- 3** Handle the new replacement lamp with a soft cloth to prevent the natural oils on the fingertips from collecting on the lamp. This will help extend the life of the lamp.

- 4** Gently insert the new lamp into the socket.



- 5** Push the lamp shield onto the spring clip.

- 6** Carefully slide the shades down until they rest properly on the socket.



7400 Linder Ave, Skokie, IL 60077  
847.410.4400

[www.techlighting.com](http://www.techlighting.com)

© 2016 Tech Lighting, L.L.C. All rights reserved. The "Tech Lighting" graphic is a registered trademark of Tech Lighting, L.L.C. Tech Lighting reserves the right to change specifications for product improvements without notification.

A Generation Brands Company