

Megan and Tegan Large Flush Mount

700FMMGN, 700FMTGN

1.0



GENERAL PRODUCT INFORMATION:

These fixtures are intended to be installed utilizing NEC compliant junction boxes.

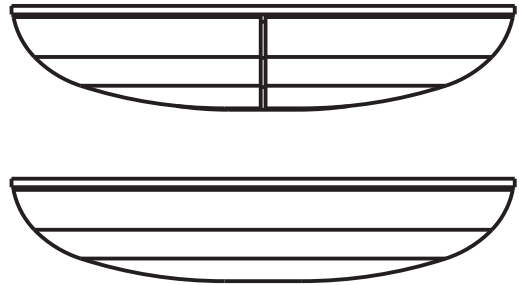


This product is suitable for damp locations.

This product can be dimmed with a low-voltage electronic dimmer.

This product may be ceiling or wall mounted.

This instruction shows a typical installation.

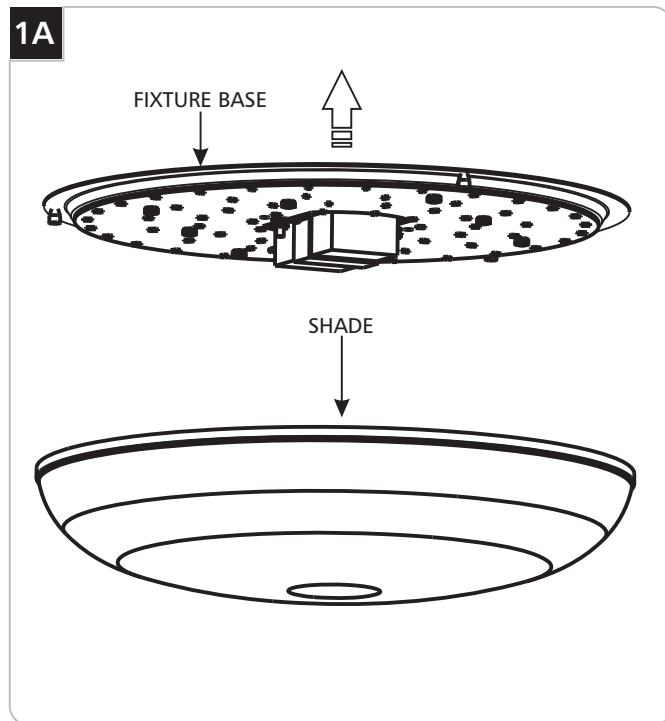


CAUTION - RISK OF FIRE

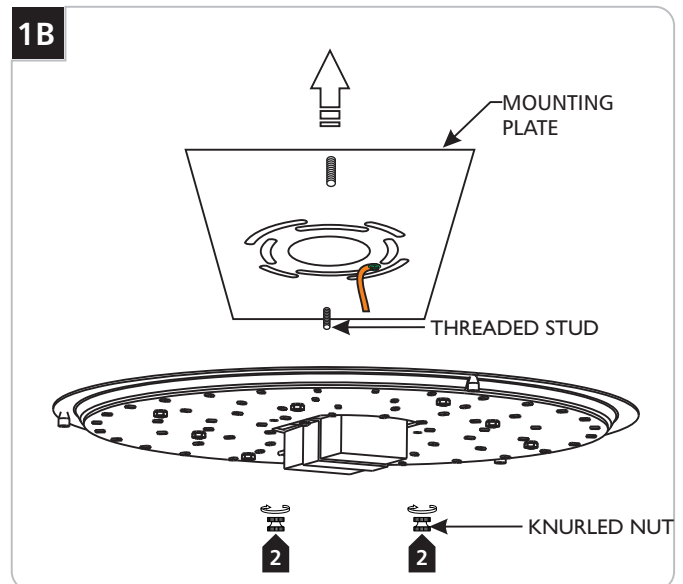
This product must be installed in accordance with the applicable installation code by a person familiar with the construction and operation of the product and the hazards involved.

Use minimum 90°C supply conductors.

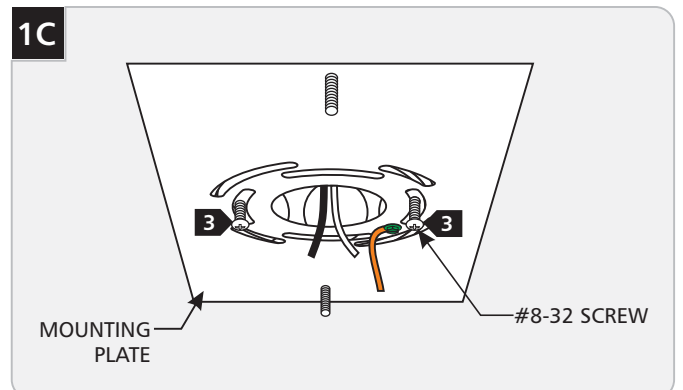
Install the Fixture Base



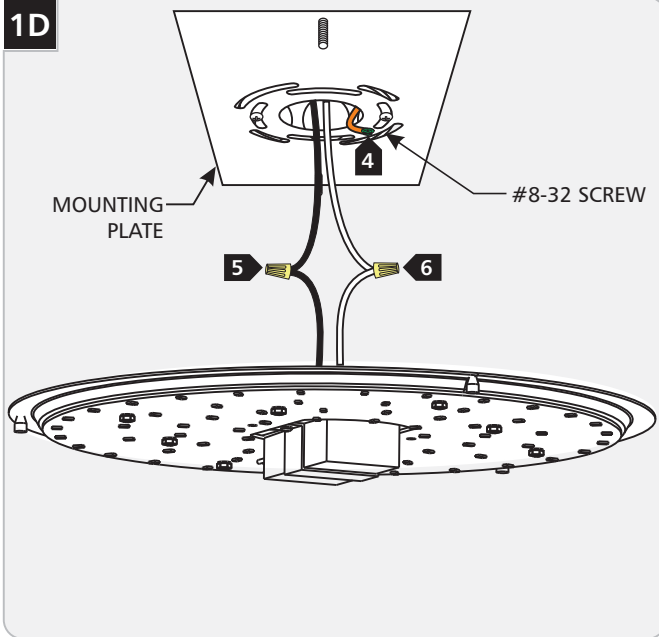
- 1 Separate the shade from the fixture base by rotating the shade out of the fixture base.



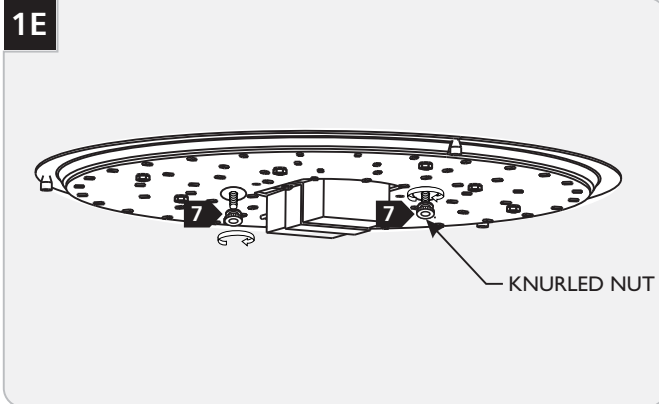
- 2 Remove the mounting plate from the fixture base by unscrewing the two knurled nuts from the two threaded studs.



- 3 Secure the mounting plate to the junction box with 2 #8-32 screws.

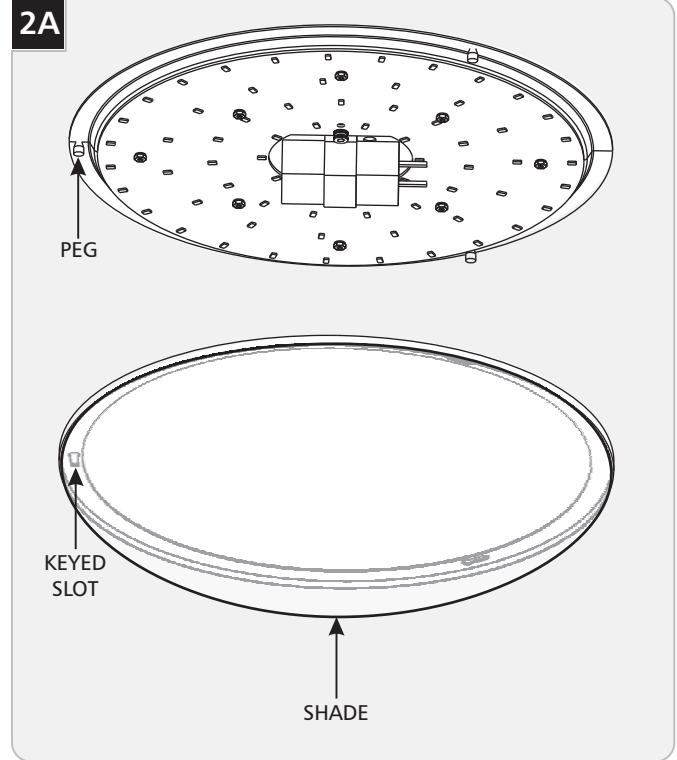
1D

- 4** Ground the mounting plate in accordance with local electrical codes.
- 5** Connect the black fixture wire to the hot power line wire with a wire nut.
- 6** Connect the white fixture wire to the neutral power line wire with a wire nut.

1E

- 7** Properly place all wires and wire nut connections into the junction box, mount the fixture base to the ceiling by reinstalling it onto the mounting plate, and secure it tightly with the knurled nuts.

Install the Shade

2A

- 1** Align the pegs on the mounting plate with the keyed slots on the shade, push the shade onto the pegs, and rotate it to secure in place.

SAVE THESE INSTRUCTIONS!



TECH LIGHTING®

7400 Linder Ave, Skokie, IL 60077

847.410.4400

www.techlighting.com

© 2017 Tech Lighting, L.L.C. All rights reserved. The "Tech Lighting" graphic is a registered trademark of Tech Lighting, L.L.C. Tech Lighting reserves the right to change specifications for product improvements without notification.

A Generation Brands Company