

## PRODUCT FEATURES

- Simple circular shape that adds dimension to cord and socket pendants
- Available in on-trend colors
- Ideal for adding additional drama and eye alluring style to cord and socket pendants
- Simple installation and seamless integration into existing cord and socket designs
- Available in three distinct sizes, small, medium and large
- Protected by a 1-year warranty



## LAMPING

Pendants sold separately

13" Small  
Aged Brass



13" Small  
Aged Brass

13" Small  
Black

13" Small  
Satin Nickel

18" Medium  
Aged Brass

To view all available finish options, please visit [techlighting.com](http://techlighting.com)

## ORDERING INFORMATION

### 700LOCUSR SHAPE OR SIZE

- 13 13" SMALL
- 18 18" MEDIUM
- 23 23" LARGE

### FINISH

- R AGED BRASS
- B BLACK
- S SATIN NICKEL

700LOCUSR \_\_\_\_\_

JOB NAME \_\_\_\_\_

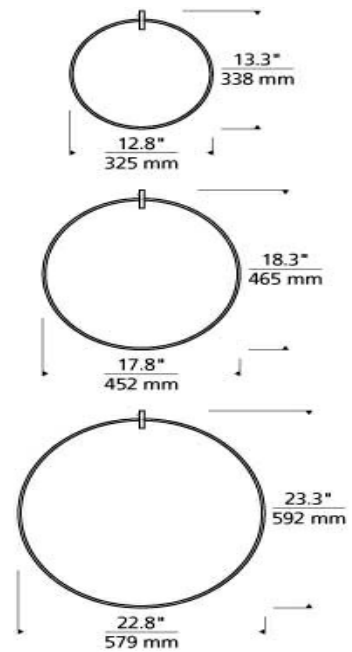
NOTES \_\_\_\_\_



# LOCUS ACCESSORY

## SPECIFICATIONS

HARDWARE MATERIAL	Metal
SHADE MATERIAL	
NET WEIGHT	0.25 lbs
HEIGHT	13.3in
WIDTH	12.8in
LENGTH	12.8in
UP LIGHT / DOWN LIGHT / BOTH?	
WET LISTED	
DAMP LISTED	
DRY LISTED	
MIN. HANGING HEIGHT	
MAX HANGING HEIGHT	
TOTAL CORD LENGTH	
TOTAL STEM LENGTH	
STEM QTY	
SLOPED CEILING ADAPTABLE?	N/A
GENERAL LISTING	
INCLUDES	



## LAMPING SPECIFICATIONS

	LED LAMP	INTEGRATED LED	NON LED	NO LAMP
DELIVERED LUMENS				
WATTS				
MAX WATTAGE PER BULB				
INPUT VOLTAGE			0V	
DIMMING TYPE*				
CCT				
CRI				
LED LIFETIME				
L70				
AVERAGE BULB HOURS				
FIELD SERVICEABLE LED				
LAMP BASE				
LAMP SHAPE				
LAMP INCLUDED?			Y	
WARRANTY**			1 Year	

\*Dimming information available at [www.techlighting.com/Downloads#dimming](http://www.techlighting.com/Downloads#dimming)  
 \*\* Visit [techlighting.com](http://techlighting.com) for specific warranty limitations and details.

## T20 / T24 INFORMATION

	Integrated LED	Replacement LED Lamp	No Lamp *
This product can be used to comply with California Building Energy Efficiency Standards 2016 Title 24 Part 6.			N/A
This product can be used to comply with California Appliance Efficiency Standards 2016 Title 20 and may be shipped to and sold in California.			N/A

\* If a light fixture or component does not include a lamp or light source, it is the responsibility of the customer to select a lamp that meets the T24 and T20 requirements.

