



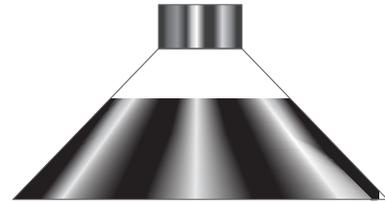
ACCESSORIES

GENERAL PRODUCT INFORMATION:

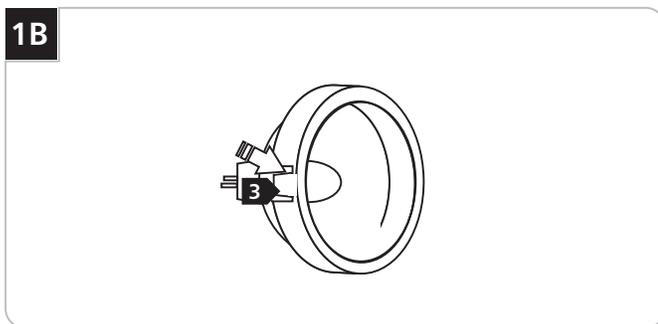
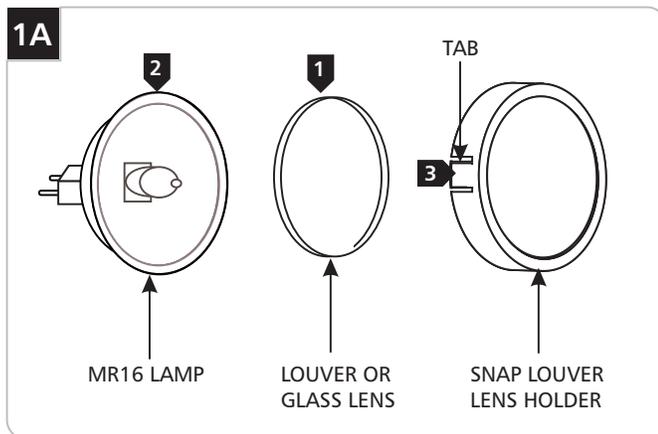


This product is suitable for indoor dry locations only.

This product must be used with Tech Lighting systems only.



Installing the Lil Wok

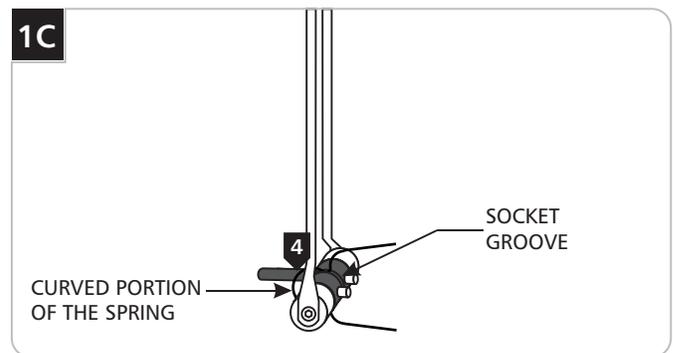


Use **MAX 50 Watt MR16 Front Cover Halogen Lamp** with Silver, Gold, & Black Colors.

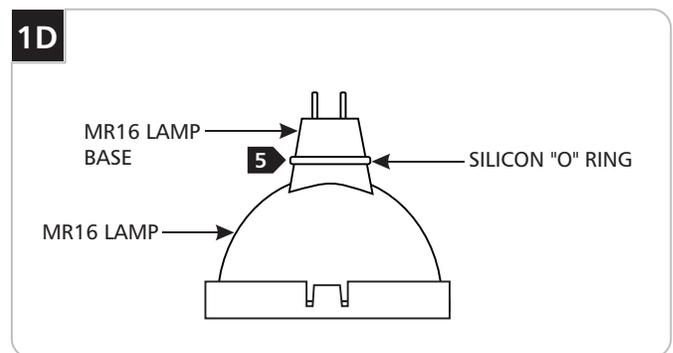
Use **MAX 20 Watt MR16 Front Cover Halogen Lamp** With All Other Colors.



- 1** Place the louver or the glass lens (optional) into the Snap Louver Lens Holder.
- 2** Place the MR16 lamp into the Snap Louver Lens Holder.
- 3** Press the tabs on both sides of the Snap Louver Lens Holder against the MR16 lamp to keep it in the position.

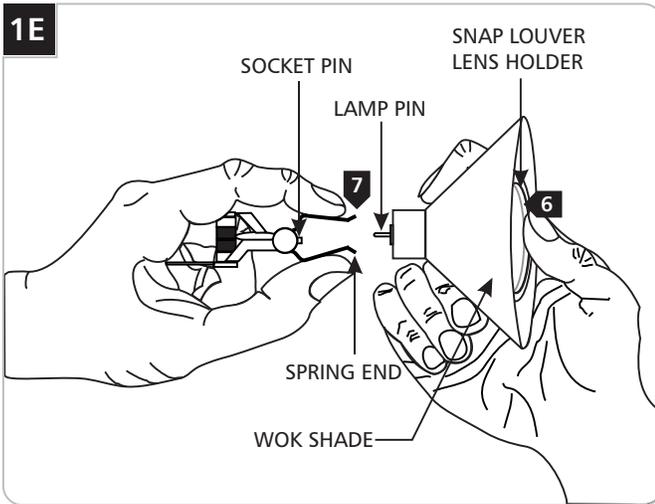


- 4** Snap the curved portion of the spring into the socket groove.



- 5** Put the silicon ring over the MR16 lamp base.

1E



- 6 Place the Snap Louver Lens Holder assembly into the Lil Wok shade.
- 7 With the other hand squeeze the spring ends towards each other; meanwhile, place the spring ends into the Lil Wok shade and push the lamp pins all the way into the socket pins.

SAVE THESE INSTRUCTIONS!



7400 Linder Ave, Skokie, IL 60077
847.410.4400

www.techlighting.com

© 2008 Tech Lighting, L.L.C. All rights reserved. The "Tech Lighting" graphic is a registered trademark of Tech Lighting, L.L.C. Tech Lighting reserves the right to change specifications for product improvements without notification.
A Generation Brands Company