

# KLEE 6-LIGHT CHANDELIER

## PRODUCT FEATURES

- The Klee 6-Light Chandelier features an unsystematic pattern of asymmetric arms converging to form a stunning and modern look.
- Offered in three finishes, Natural Brass that will patina over time, Nightshade Black and Polished Nickel finish.
- Collection also includes Table Lamp, Floor Lamps and Wall Sconce.
- Three arms of thin LED panels pivot in any direction. LED light guide technology produces an ample amount of downward illumination.
- Includes (4) 12" and (2) 6" rigid stems in coordinating finish.
- Protected by a 5-year warranty. please visit the "About Us" Page on [techlighting.com](http://techlighting.com) for more for warranty details



## LAMPING

Includes 45.6 watts, 3490 total delivered lumens, 3000K LED modules. Dimmable with most LED compatible ELV and TRIAC dimmers. Ships with (4) 12" and (2) 6" rigid stems in coordinating finish. Cannot be installed on a sloped ceiling. 120V

Nightshade Black



Nightshade Black

Polished Nickel

Natural Brass

## ORDERING INFORMATION

700KLE	SHAPE OR SIZE	FINISH	LAMP
	6 6-LIGHT CHANDELIER	<b>NB</b> NATURAL BRASS <b>B</b> NIGHTSHADE BLACK <b>N</b> POLISHED NICKEL	-LED930 INTEGRATED LED 90 CRI 3000K 120V

This product can mount to either a 4" square electrical box with round plaster ring or an octagon electrical box.

700KLE \_\_\_\_\_

JOB NAME \_\_\_\_\_

NOTES \_\_\_\_\_

\_\_\_\_\_

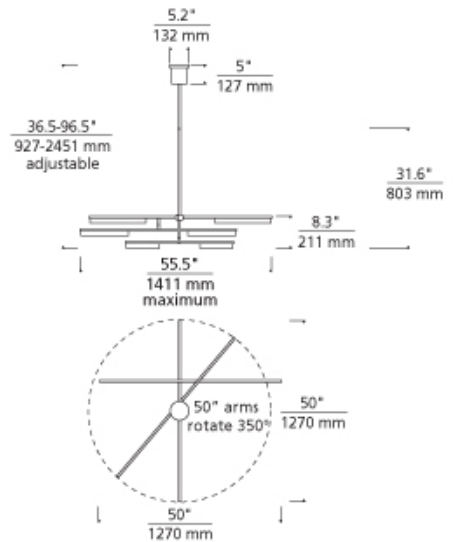
\_\_\_\_\_



# KLEE 6-LIGHT CHANDELIER

## SPECIFICATIONS

HARDWARE MATERIAL	Metal
SHADE MATERIAL	Acrylic
NET WEIGHT	27 lbs
HEIGHT	8.5in
WIDTH	56.1in
LENGTH	56.1in
UP LIGHT / DOWN LIGHT / BOTH?	
WET LISTED	
DAMP LISTED	Yes
DRY LISTED	
MIN. HANGING HEIGHT	36.5in
MAX HANGING HEIGHT	96.5in
TOTAL CORD LENGTH	
TOTAL STEM LENGTH	Up to 60in
STEM QTY	6
SLOPED CEILING ADAPTABLE?	No
GENERAL LISTING	ETL Listed
INCLUDES	



## LAMPING SPECIFICATIONS

	LED LAMP	INTEGRATED LED	NON LED	NO LAMP
DELIVERED LUMENS		3490		
WATTS		45.6		
MAX WATTAGE PER BULB		45.6W		
INPUT VOLTAGE		120V		
DIMMING TYPE*		ELV, TRIAC		
CCT		3000K		
CRI		90 CRI		
LED LIFETIME				
L70		>50000		
AVERAGE BULB HOURS				
FIELD SERVICEABLE LED				
LAMP BASE		Integrated LED		
LAMP SHAPE		Integrated LED		
LAMP INCLUDED?		Y		
WARRANTY**		5 Years		

\*Dimming information available at [www.techlighting.com/Downloads#dimming](http://www.techlighting.com/Downloads#dimming)

\*\* Visit [techlighting.com](http://techlighting.com) for specific warranty limitations and details.

## T20 / T24 INFORMATION

	Integrated LED	Replacement LED Lamp	No Lamp *
This product can be used to comply with California Building Energy Efficiency Standards 2016 Title 24 Part 6.	Yes		
This product can be used to comply with California Appliance Efficiency Standards 2016 Title 20 and may be shipped to and sold in California.	N/A		

\* If a light fixture or component does not include a lamp or light source, it is the responsibility of the customer to select a lamp that meets the T24 and T20 requirements.

