

KARAM LARGE TABLE LAMP

PRODUCT FEATURES

- Hand combed ceramic base
- Natural brass shade
- Includes integrated in-line dimmer with 6 feet black cloth cord
- This item is made of natural brass. It is a living finish that will patina and warm with age which adds richness. If it gets an uneven patina or spots, a brass cleaner can restore the finish
- Protected by a 5-year warranty. Please visit the "About Us" Page on techlighting.com for more for warranty details



Black



Black

Cream

LAMPING

Rated for (2) 40 watt max E26 medium base lamp. (2) 120v 10 watt, 1100 delivered lumens, 3000K, medium base LED A19 lamp. Built-in sliding dimmer. Includes 6 feet of black cloth cord.

ORDERING INFORMATION

700PRTKRM COLOR	FINISH	LAMP
B BLACK CR CREAM	NB NATURAL BRASS	-LED930 E26 MED BASE A19 90 CRI 3000K 120V

700PRTKRM _____

JOB NAME _____

NOTES _____

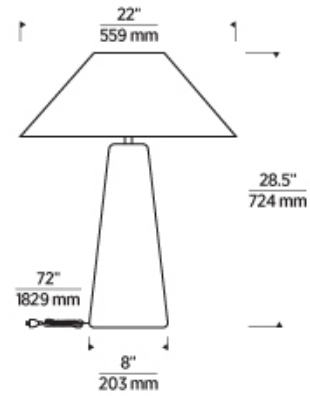


KARAM LARGE TABLE LAMP



SPECIFICATIONS

PRIMARY MATERIAL	Ceramic
SHADE MATERIAL	Brass
NET WEIGHT	15 lbs
HEIGHT	28.5in
WIDTH	22in
LENGTH	22in
WET LISTED	
DAMP LISTED	Yes
DRY LISTED	
GENERAL LISTING	ETL Listed
INCLUDES	



LAMPING SPECIFICATIONS

	LED LAMP	INTEGRATED LED	NON LED	NO LAMP
DELIVERED LUMENS	1100			
WATTS	10			
MAX WATTAGE PER BULB	40W			
INPUT VOLTAGE/ DIMMING TYPE	120V Integrated Sliding on/off dimmer			
CCT	3000K			
CRI	90 CRI			
LED LIFETIME				
L70	>25000			
AVERAGE BULB HOURS				
FIELD SERVICEABLE LED				
LAMP BASE	E26 Medium Base			
LAMP SHAPE	A19			
LAMP INCLUDED?	True			
WARRANTY**	1 Year			

*Dimming information available at www.techlighting.com/Downloads#dimming
 ** Visit techlighting.com for specific warranty limitations and details.

T20 / T24 / JA8 INFORMATION

	Integrated LED	Replacement LED Lamp	No Lamp *
This product can be used to comply with California Building Energy Efficiency Standards 2016 Title 24 Part 6 / JA8.		Yes	
This product can be used to comply with California Appliance Efficiency Standards 2016 Title 20 and may be shipped to and sold in California.		Yes	

* If a light fixture or component does not include a lamp or light source, it is the responsibility of the customer to select a lamp that meets the T24 and T20 requirements.

