

Single Feed Surface Transformer

700SRT_D 1.8



GENERAL PRODUCT INFORMATION:



This product is ETL listed and suitable only for indoor dry locations and approved for use at any height above the finished floor.

This product is suitable for indoor dry locations only.

A typical installation is shown. Specific installation must be in accordance with local electrical codes.

This product contains a built-in dimming coil.

This product may be dimmed only with a low voltage magnetic dimmer. Using a dimmer not designed for low voltage magnetic applications may work initially, but will eventually cause transformer failure and will void the warranty. The dimmer must be derated as indicated by the dimmer manufacturer.

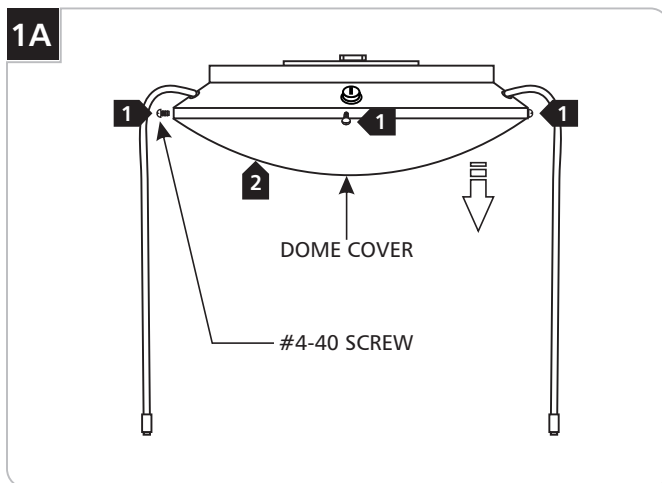
This product is intended for use with Tech Lighting low voltage lighting systems only.

Read all instructions thoroughly. Read "Important Safety Information" on page 4 before proceeding with the installation.

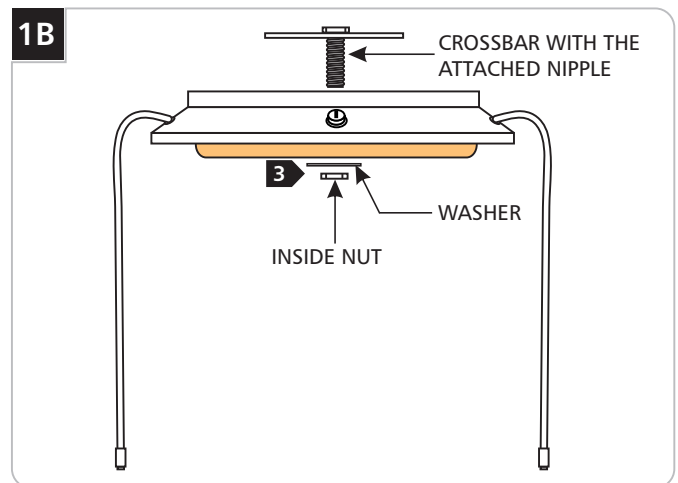


CAUTION — RISK OF FIRE
 This product requires installation by a qualified electrician. Before installing be sure to read all instructions and **TURN THE POWER TO THE ELECTRICAL BOX OFF.**

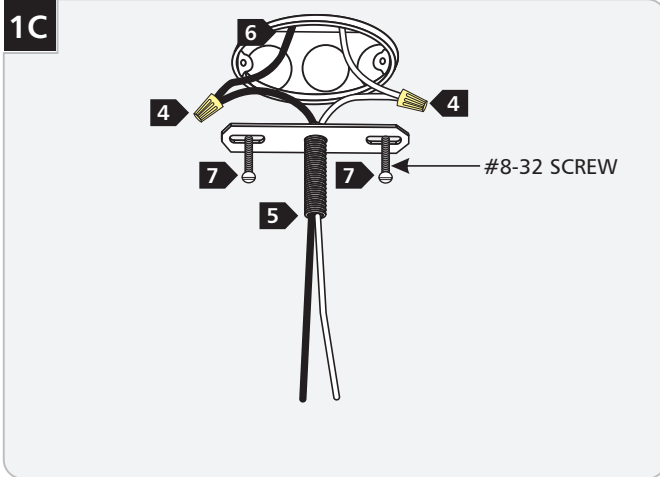
Install the Transformer



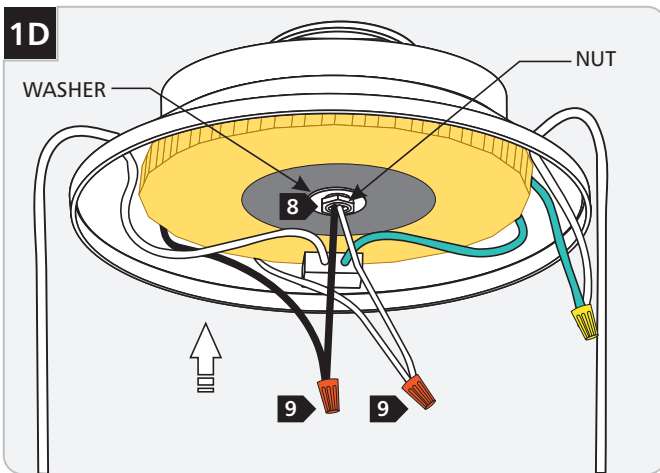
- 1** On the side of the transformer dome cover, remove the #4-40 screws with a Phillips head screwdriver.
- 2** Lift the dome cover off of the transformer housing.



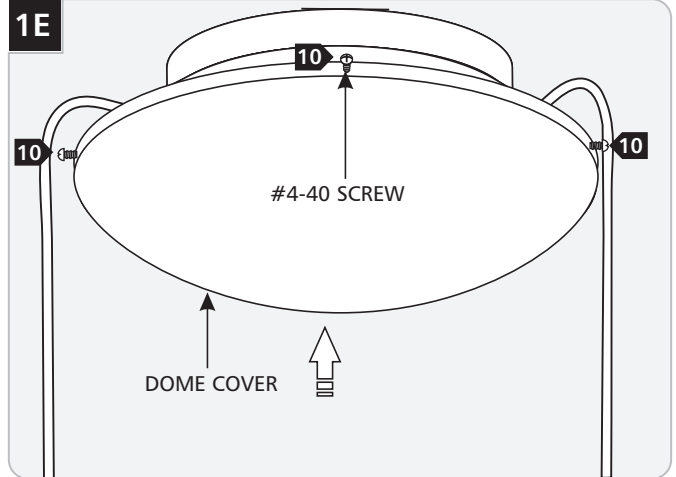
- 3** Remove the inside nut and washer to remove the crossbar with the attached nipple. **DO NOT REMOVE** the nipple from the crossbar.



- 4** Connect the provided white and black extension wires to the neutral and hot power line wires respectively with wire nuts.
- 5** Feed the wires through the nipple.
- 6** Place all wires and wire nut connections inside the electrical box.
- 7** Mount the crossbar with the attached nipple to the electrical box with provided #8-32 screws.

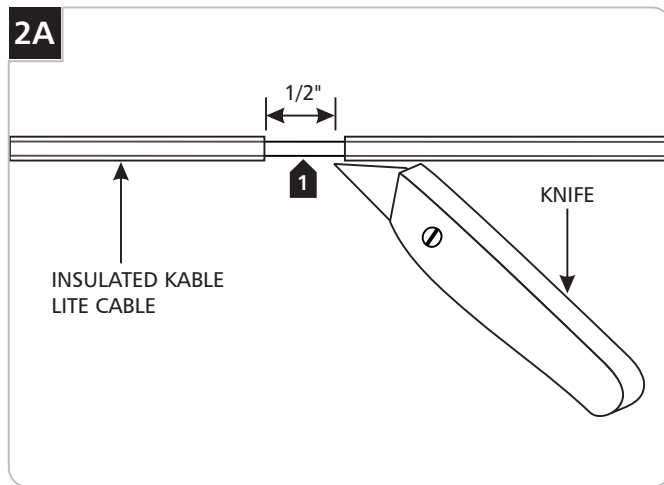


- 8** Slip the transformer housing and the washer onto the nipple and tighten the inside nut to secure the transformer housing.
- 9** Connect the black and white extension wires to the black and white transformer wires respectively with wire nuts.

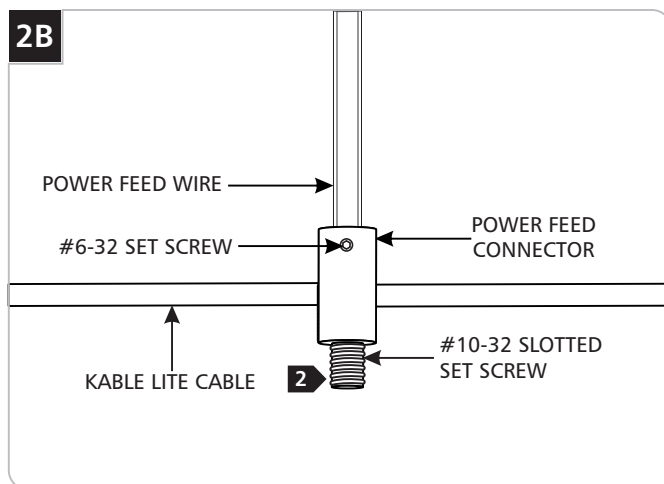


- 10** Replace the dome cover onto the transformer housing. Line the dome cover holes up with the transformer housing holes. Replace and tighten the #4-40 screws.

Connect the Transformer Wires Directly to Kable Lite Cables

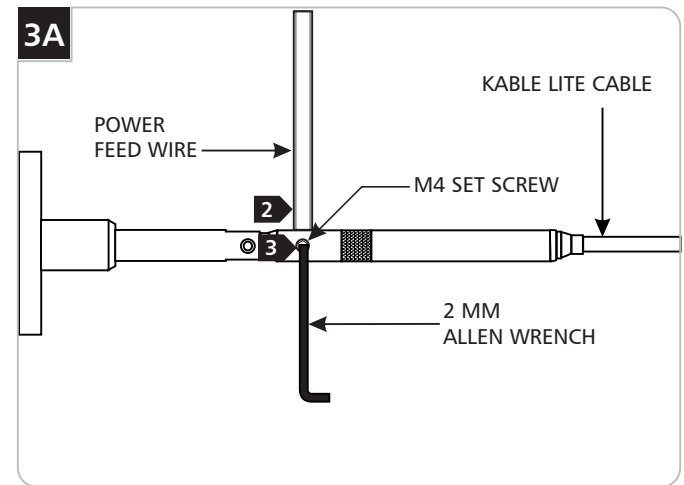


- 1 When using insulated Kable Lite cables, remove 1/2" of the insulation from each cable (where the power feed connector is going to be mounted) with a sharp knife. Make sure not to cut or nick the cable.



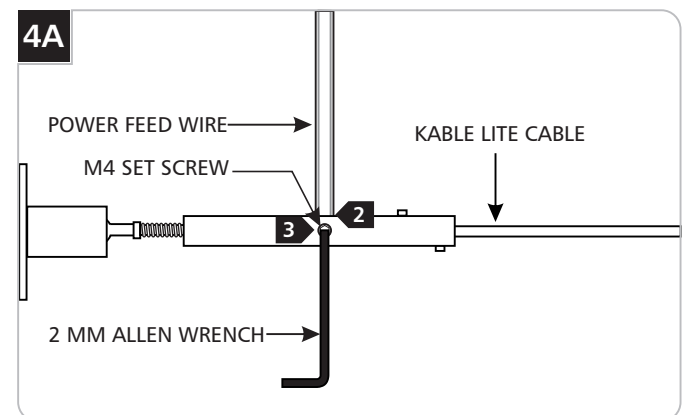
- 2 Unscrew the #10-32 slotted head set screw from the tip of the power feed connectors with a screwdriver. Place the power feed connectors one onto each Kable Lite cable and tighten the #10-32 slotted set screw on the tip with the screwdriver.

Connect the Transformer Wires to Universal Turnbuckles



- 1 Remove the power feed connector by loosening the #6-32 set screw with 1/16 Allen wrench (refer to 2B).
- 2 Feed the uninsulated portion of the power feed wire (one for each turnbuckle) into the turnbuckle hole.
- 3 Tighten the M4 set screw with the 2MM Allen wrench.

Connect the Transformer Wires to Slimline Turnbuckles



- 1 Remove the power feed connector by loosening the #6-32 set screw with 1/16 Allen wrench (refer to 2B).
- 2 Feed the uninsulated portion of the power feed wire (one for each turnbuckle) into the turnbuckle hole.
- 3 Tighten the M4 set screw with the 2MM Allen wrench.

Important Safety Information

Do not conceal or extend bus bar conductors through a building wall.

Do not install this lighting system in a damp or wet location.

To reduce the risk of fire and burns, do not install this lighting system where the uninsulated open bus bar conductors can be shorted or contact any conductive materials.

To reduce the risk of the system overheating and possibly causing a fire, make sure all the connections are tight.

Do not install fixture assemblies closer than six inches to curtains or similarly combustible materials.

Turn the electrical power off before modifying the lighting system in any way.

Only fixtures approved for use with the system may be installed.

Minimum volume of the electrical box must be 6 cubic inches (98 cubic centimeter).

The system is "ETL" listed for USA and Canada only when all the products used are supplied by Tech Lighting.

Load the circuit of the transformer to no more than the maximum rated capacity as specified.

SAVE THESE INSTRUCTIONS!



TECH LIGHTING®

7400 Linder Ave, Skokie, IL 60077

847.410.4400

www.techlighting.com

© 2008 Tech Lighting, L.L.C. All rights reserved. The "Tech Lighting" graphic is a registered trademark of Tech Lighting, L.L.C. Tech Lighting reserves the right to change specifications for product improvements without notification.

A Generation Brands Company