

Rigid Post Standoff/Standoff Turn

700KSO_

1.6

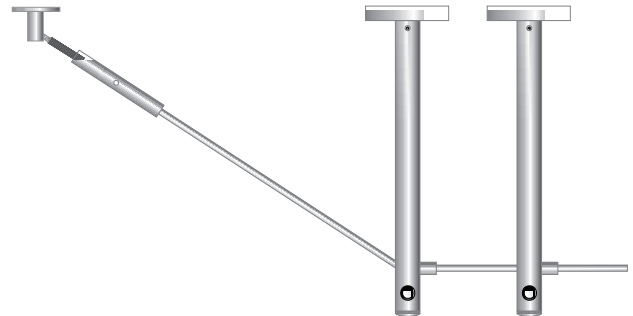


GENERAL PRODUCT INFORMATION:

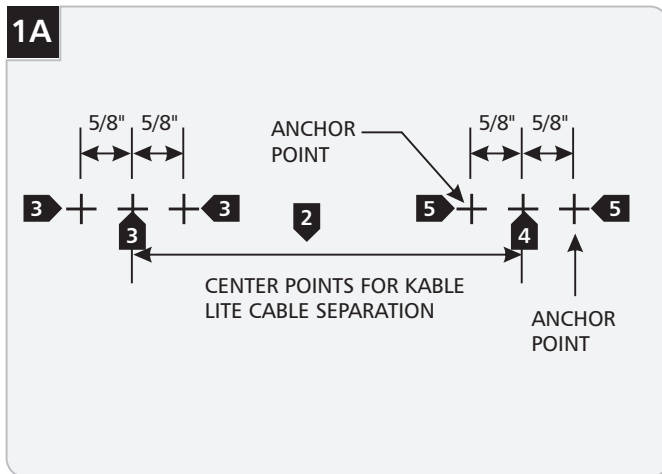


This product is suitable for indoor dry locations only.

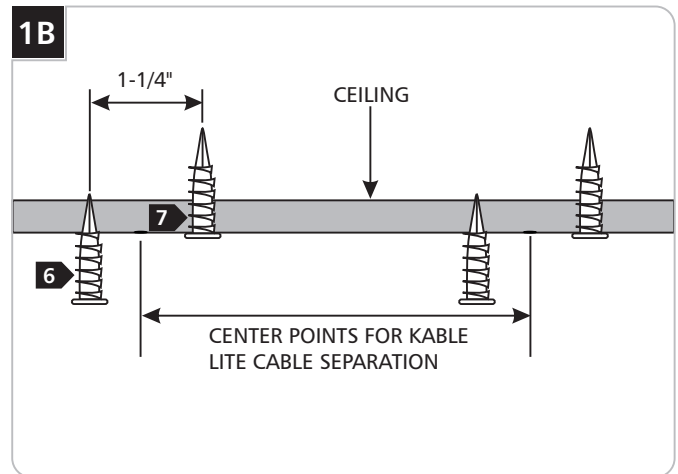
This product should be used with Tech Lighting Kable Lite system only.



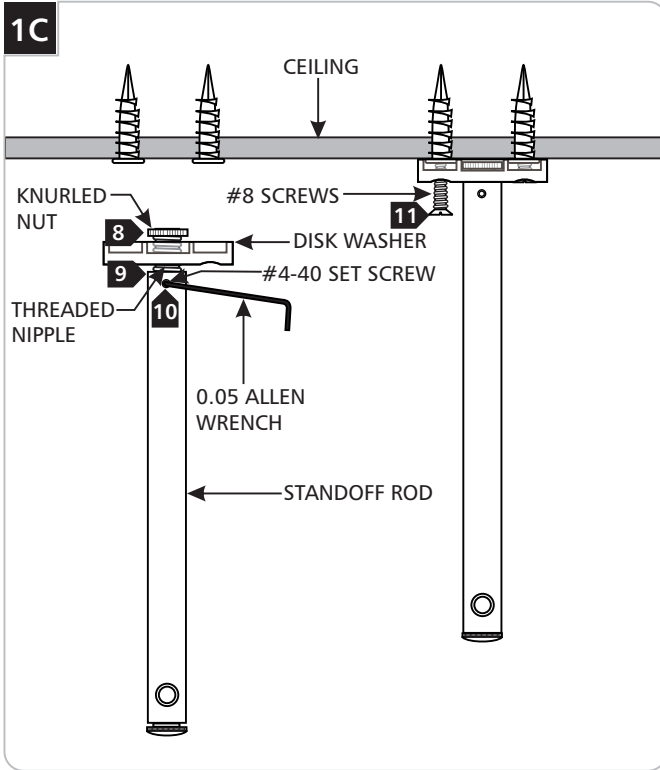
Install the Rigid Standoff Post



- 1** Determine the location for the standoffs.
- 2** Determine the Kable Lite cable separation.
- 3** Mark three points 5/8" apart. The center point is used to measure the Kable Lite cable separation.
- 4** Measure from center point to mark the other point for the Kable Lite cable separation.
- 5** Mark two other points 5/8" apart from each side of the new point.

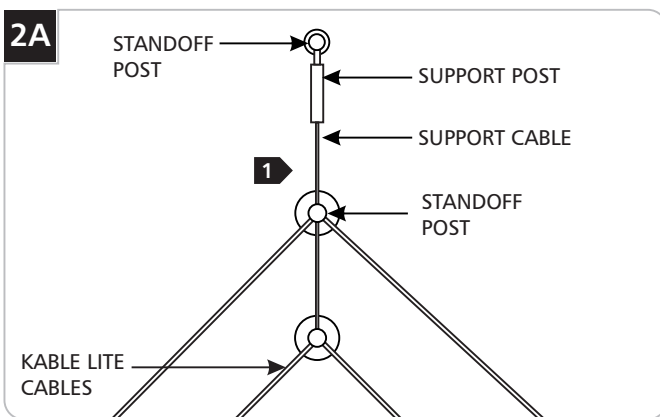


- 6** With a hammer tap the four anchors at the marked points (exclude the center points) up to the threaded portion into the ceiling.
- 7** Screw the anchors in the rest of the way with a Phillips screwdriver.

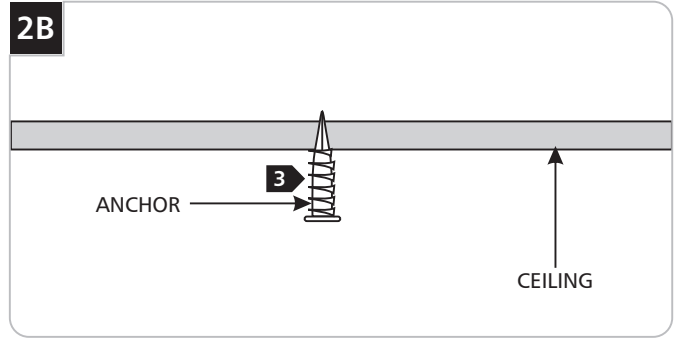


- 8 Screw the knurled nut to the threaded nipple. Make sure the end of the nipple is flush with the top edge of the knurled nut.
- 9 Tighten the standoff rod all the way to the threaded nipple.
- 10 Tighten the #4-40 set screw on the standoff rod with the 0.05 Allen wrench.
- 11 Screw the disk washer with the standoff rod to the anchors with the #8 screws.

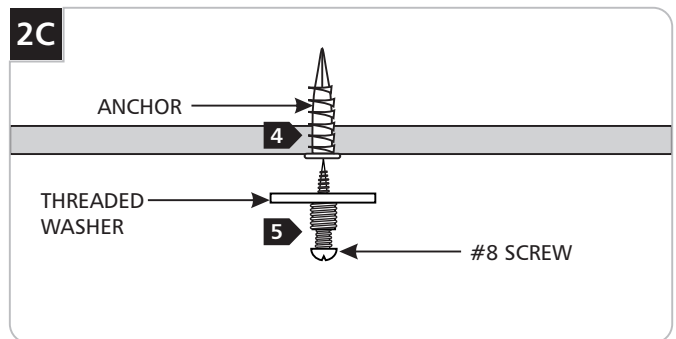
Install the Standoff Turn



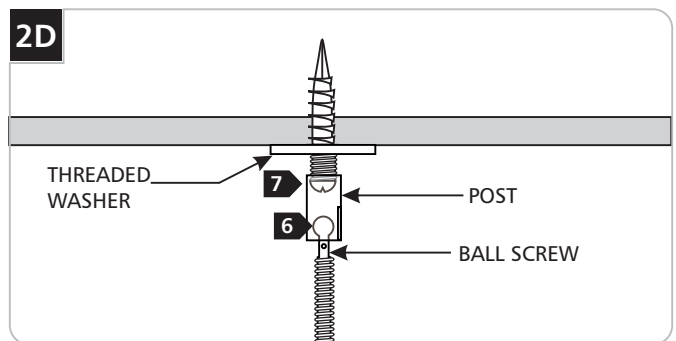
- 1 The support point must be in line with the standoff posts.



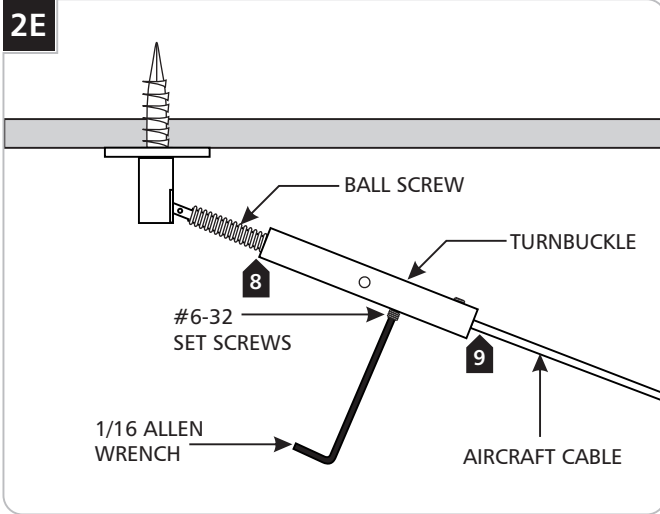
- 2 Mark a point on the ceiling for the standoff turn.
- 3 Tap the anchor at the marked point into the ceiling with a hammer.



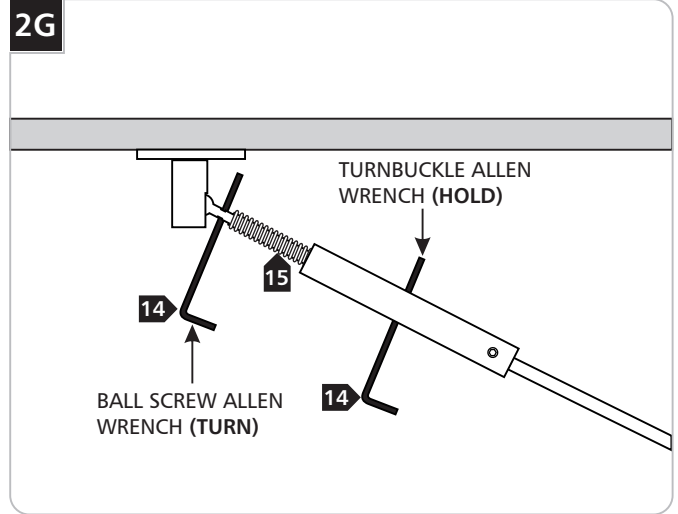
- 4 Screw the anchor in the rest of the way with a Phillips screwdriver.
- 5 Screw the threaded washer to the anchor with the #8 screw.



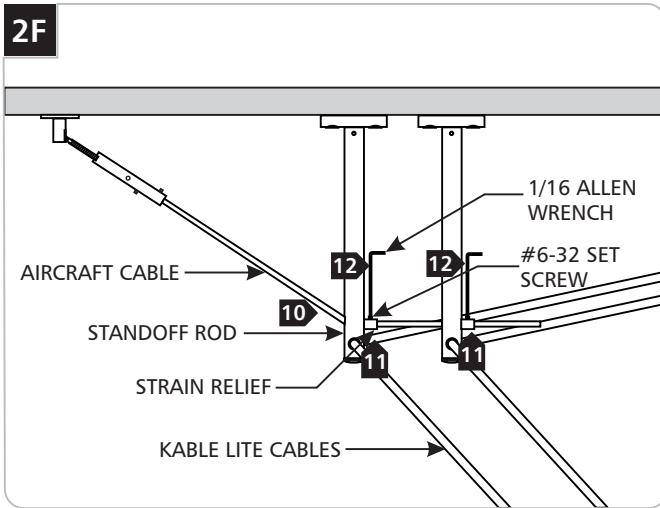
- 6 Place the ball screw into the post.
- 7 Screw the post onto the threaded washer.



- 8** Screw the turnbuckle onto the ball screw.
- 9** Feed the aircraft cable into the turnbuckle. Tighten the two #6-32 set screws on the turnbuckle with the 1/16 Allen wrench.



- 14** Finish tightening the aircraft cable on the support by putting one Allen wrench into the ball screw hole and the other one into the turnbuckle hole.
- 15** While holding the turnbuckle Allen wrench, turn the ball screw Allen wrench counterclockwise to tighten the Kable Lite cable.
- 16** For a neat look, cut the excess aircraft cable.



- 10** Feed the aircraft cable through the hole at the top of the standoff rod.
- 11** Feed the aircraft cable through the strain relief. Slide the strain relief against the standoff rod.
- 12** Pull the aircraft cable taut, meanwhile tighten the #6-32 set screws on the strain relief with the 1/16 Allen wrench.
- 13** Repeat steps 11 and 12 for the other standoff rod.

SAVE THESE INSTRUCTIONS!



7400 Linder Ave, Skokie, IL 60077
847.410.4400

www.techlighting.com

© 2008 Tech Lighting, L.L.C. All rights reserved. The "Tech Lighting" graphic is a registered trademark of Tech Lighting, L.L.C. Tech Lighting reserves the right to change specifications for product improvements without notification.
A Generation Brands Company